
OWNER'S MANUAL SUPPLEMENT

ELECTRIC CHAIN HOIST ER2 and NER2 SERIES

8 Ton through 20 Ton Capacity

Code, Lot and Serial Number

WARNING

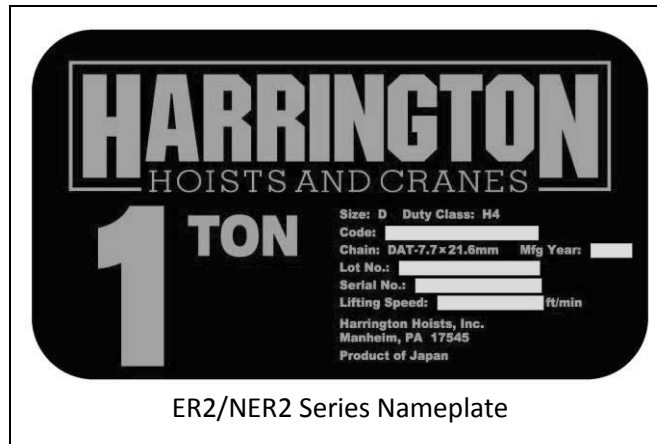
This equipment should not be installed, operated or maintained by any person who has not read and understood all the contents of this manual. Failure to read and comply with the contents of this manual can result in serious bodily injury or death, and/or property damage.

HARRINGTON
A KITO GROUP COMPANY

9.0 Parts List

When ordering Parts, please provide the Hoist code number, lot number and serial number located on the Hoist nameplate (see fig. below).

Reminder: Per sections 1.1 and 3.7.4 to aid in ordering Parts and Product Support, record the Hoist code number, lot number and serial number in the space provided on the cover of this manual.



The parts list is arranged into the following sections:

Section	Page
9.1 Housing and Motor Parts.....	24
9.2 Gearing Parts.....	26
9.3 Chain Parts.....	28
9.4 Bottom Hook Parts.....	30
9.5 Electric Parts (Single Speed).....	34
9.6 Electric Parts (Dual Speed).....	36
9.7 Power Supply and Pendant Parts.....	38
9.8 Top Suspension Plate Parts.....	42
9.9 Top Hook Parts.....	46
9.10 Control Station Parts (Plate Suspension Type).....	52
9.11 Control Station Parts (Top Hook Type).....	54
9.12 Chain Container Parts.....	56

In the column "Parts Per Hoist" a designator is used for parts that apply only to a particular model or option. Refer to Section 2 for hoist model numbers and additional descriptions. The designators are:

- S = Single Speed
- D = Dual Speed
- F = NER2 Models
- M = ER2 Models
- 2V = 208/230 Volt Models
- 4V = 460 Volt Models

9.1 Housing and Motor Parts

**080S/SD, 100L/LD, 100S/SD,
150S/SD, 200S/SD**

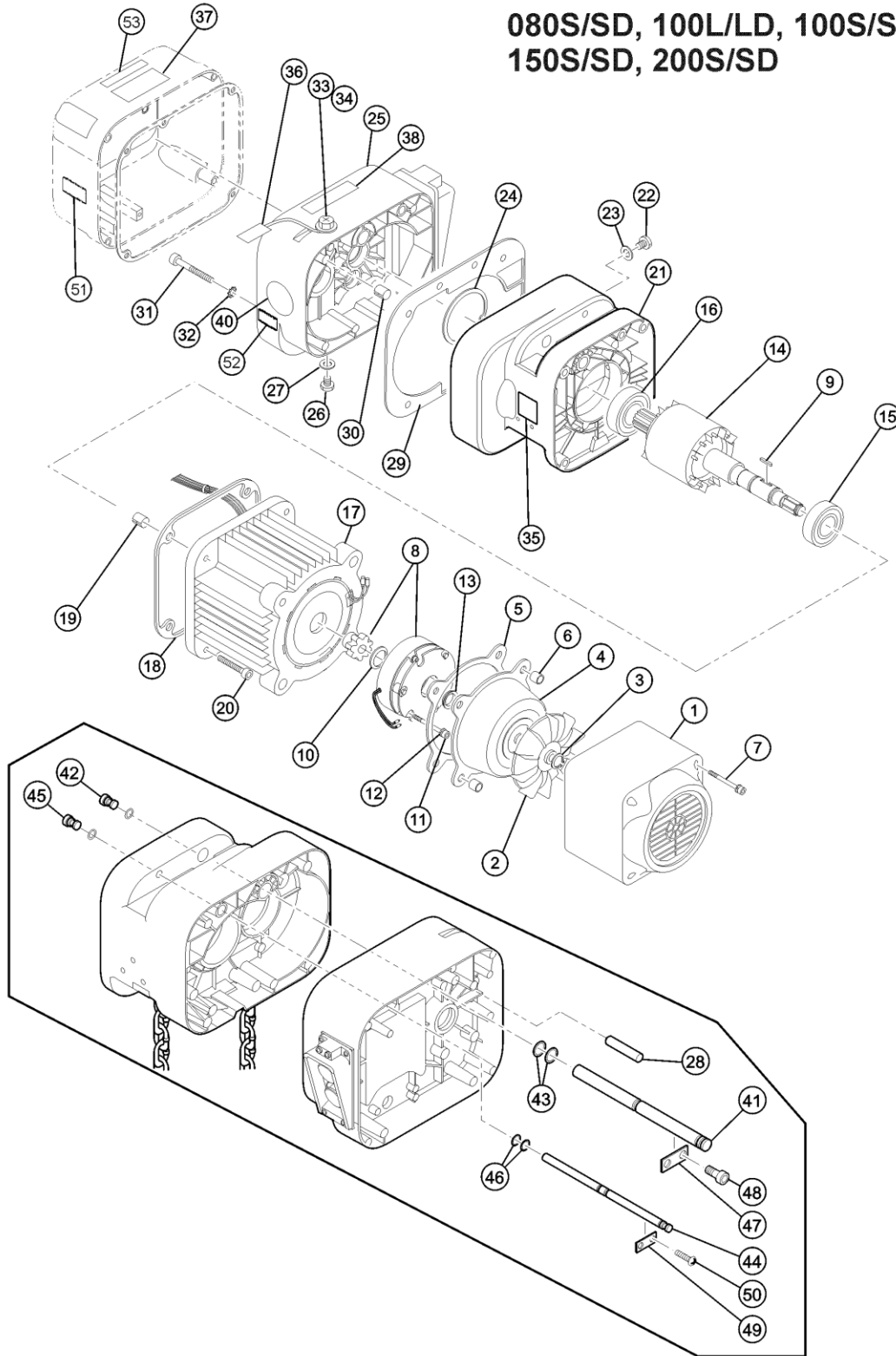


Figure 9-1-1 Housing and Motor Parts

9.1 Housing and Motor Parts

Figure No.	Part Name	Parts Per Hoist	080S	100L	100S	150S	200S
1	Fan Cover	1 (2)			ER2ES9107		
2	Fan	1 (2)			ER2ES9108		
3	Snap Ring	1 (2)			9047122		
4	Brake Cover	1 (2)			ER2ES9115		
5	Packing B	1 (2)			ER2ES9119		
6	Set Pin S	2 (4)			ES120003		
7	Socket Bolt	4 (8)			9091255		
8	Electromagnetic Brake Assembly	1 (2)			MBABB35NA		
9	Key B	1 (2)			ER2ES9360		
10	Snap Ring	1 (2)			9047130		
11	Socket Bolt	3 (6)			9091278		
12	Spring Lock Washer	3 (6)			9012712		
13	V Ring	1 (2)			ER2ES9210		
14	Motor Shaft With Rotor	1 (2)			ER2FS5502		
15	Ball Bearing	1 (2)			9000907		
16	Ball Bearing	1 (2)			9000906		
17	Motor Frame With Stator	1 (2)			ER2BKV25S5A1		
18	Packing M	1 (2)			ER2FS9118		
19	Set Pin S	2 (4)			ER2ES9138		
20	Socket Bolt	4 (8)			90912116		
21	Body B	F	1 (2)		ER2FS6101		
	Body C	M			ER2FS6099		
22	Oil Plug	1 (2)			E3S111003		
23	Plug Packing	1 (2)			E3S112003		
24	Snap Ring	1 (2)			9047280		
25	Gear Case	F	1 (2)		ER2FS6103		
		M			ER2FS6102		
26	Oil Plug	1 (2)			E3S111003		
27	Plug Packing	1 (2)			E3S112003		
28	Spring Pin	1 (2)			E3S129005S		
29	Packing G	F	1 (2)		ER2FS9116		
		M	2 (4)				
30	Set Pin S	F	2 (4)		ES120010S		
		M	4 (8)				
31	Socket Bolt	F	5 (10)		9091286		
		M			90912155		
32	Toothed Lock Washer	5 (10)			9679711		
33	Oil Fill Plug	1 (2)			ER1BS9135		
34	Eyebolt Packing	1 (2)			ES127005S		
35	Name Plate Load Side	1 (2)			ER1BS9960		
36	Oil Full Tag	1 (2)			ER1BS9953		
37	Warning Sticker E (Disconnect Power)	1 (2)			ER2CS9936		
38	Name Plate OF (Correct Oil Required)	F	1 (2)		ER2CS9845		
	Name Plate OM (Correct Oil Required)	M			ER2CS9846		
40	Name Plate AD (Speed Letter)	1 (2)	ER1BS9868	ER1BL9868		ER1BS9868	
41	Connection Shaft Assembly	1 (2)			ER2FS6121		
42	Top Pin Plug Assembly	1 (2)			ER2FS6128		
43	O Ring	2 (4)			9013317		
44	Fixing Shaft Assembly	1 (2)			ER2FS6122		
45	Fixing Shaft Plug Assembly	1 (2)			ER2FS6131		
46	O Ring	2 (4)			9013307		
47	Connection Shaft Plate A	1 (2)			ER1ES9123		
48	Socket Bolt With Spring Washer	2 (4)			J1BG10601616		
49	Plate A	1 (2)			ER1BS9123		
50	Machine Screw With Spring Washer	2 (4)			M6F554010		
51	Check Voltage Label	S,2V	1		ECP99NVVB		
		S,4V			ECP99NVVA		
		D,2V			ECP99NVWB		
		D,4V			ECP99NVWA		
52	Name Plate AA (With Mechanical Brake)	M	1		ER1BS9893		
53	Warning Sticker HW (Hot Surface)	D	1		ER2CI9806		

*Quantities in "()" are for dual-body hoists.

9.2 Gearing Parts

**080S/SD, 100L/LD, 100S/SD,
150S/SD, 200S/SD**

**Parts for Friction Clutch
with Mechanical Brake
Specification**

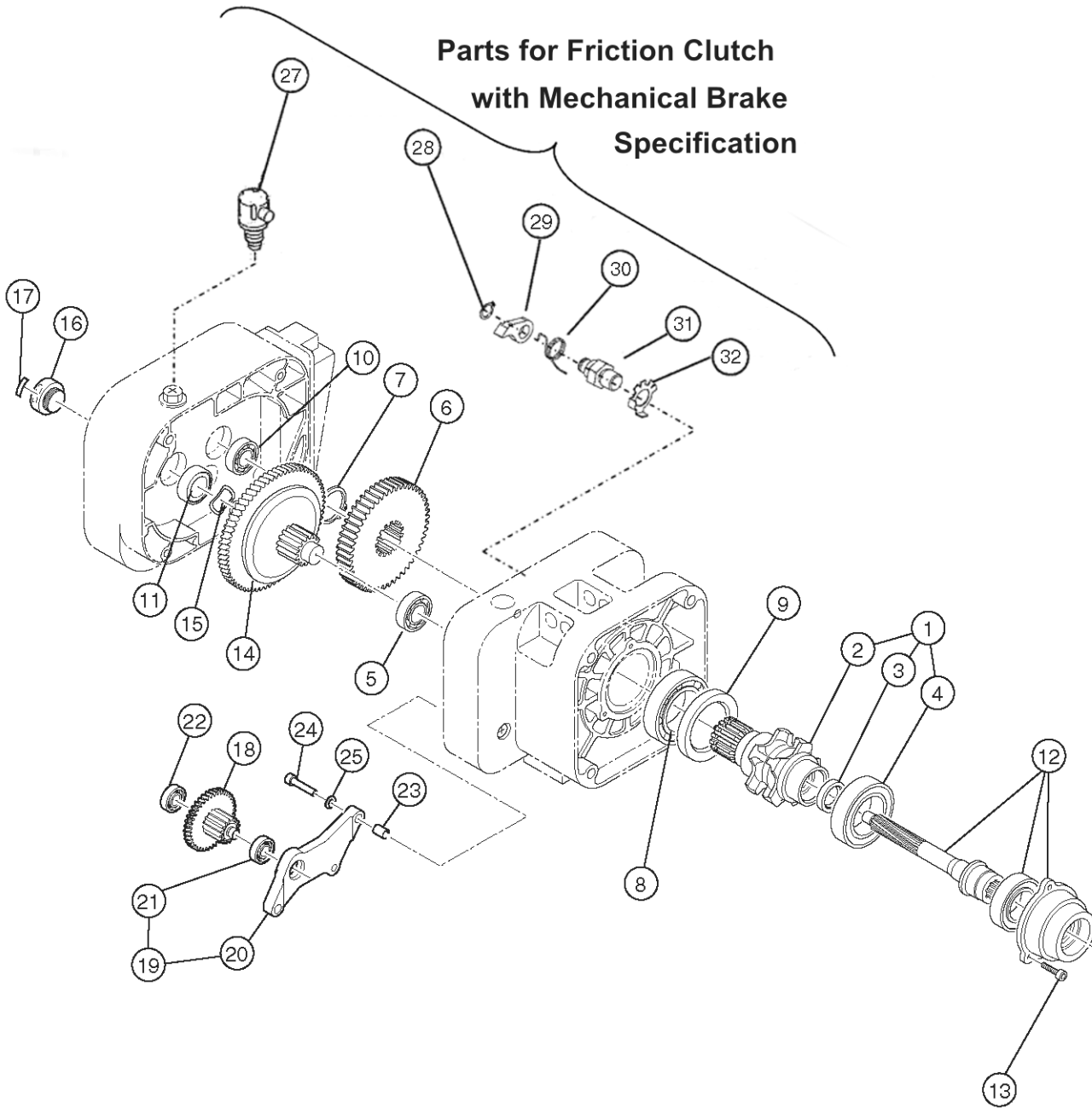


Figure 9-2-1 Gearing Parts

9.2 Gearing Parts

Figure No.	Part Name	Parts Per Hoist	080S	100L	100S	150S	200S
1	Load Sheave Assembly				ER2FS6241		
2	Load Sheave				ER2FS9241		
3	Oil Seal				ER2ES9221		
4	Ball Bearing				9000610		
5	Ball Bearing				9000405		
6	Load Gear				ER2FS9240		
7	Snap Ring				9047150		
8	Ball Bearing				9000110		
9	Oil Seal				ER2ES9244		
10	Ball Bearing				9000303		
11	Oil Seal				ER1DS9233		
12	Pinion Assembly	F			ER2FS5220		
		M			ER2FS5304		
13	Socket Bolt				9091249		
14	Friction Clutch Complete Assembly	F	ER2HS1223	ER2IL1223	ER2FR1223	ER2HS1223	ER2IL1223
	Friction Clutch With Mechanical Brake Complete Assembly	M			ER2FS1274		
15	Wave Washer				ER2ES9234		
16	Nut Cover				ER2ES9235		
17	Name Plate FP (Adjustment Of Friction Clutch Prohibited)				ER1BS9892		
18	Gear B Assembly	F			ER2FS5262		
		M			ER2FS5306		
19	Gear Holder Plate Assembly				ER2FS6261		
20	Gear Holder Plate				ER2FS9261		
21	Ball Bearing				9000203		
22	Ball Bearing				9000202		
23	Set Pin S				ES120010S		
24	Socket Bolt				9091275		
25	Spring Lock Washer				9012711		
27	Vent Cap	M			ER1BS1175		
28	Snap Ring	M			9047111		
29	Pawl	M			L4155015		
30	Pawl Spring	M			ER1BS9290		
31	Pawl Shaft	M			ER2CS9289		
32	Pawl Shaft Washer	M			ER2CS9294		

*Quantities in "()" are for dual-body hoists.

9.3 Chain Parts

080S/SD, 100L/LD, 100S/SD,
150S/SD, 200S/SD

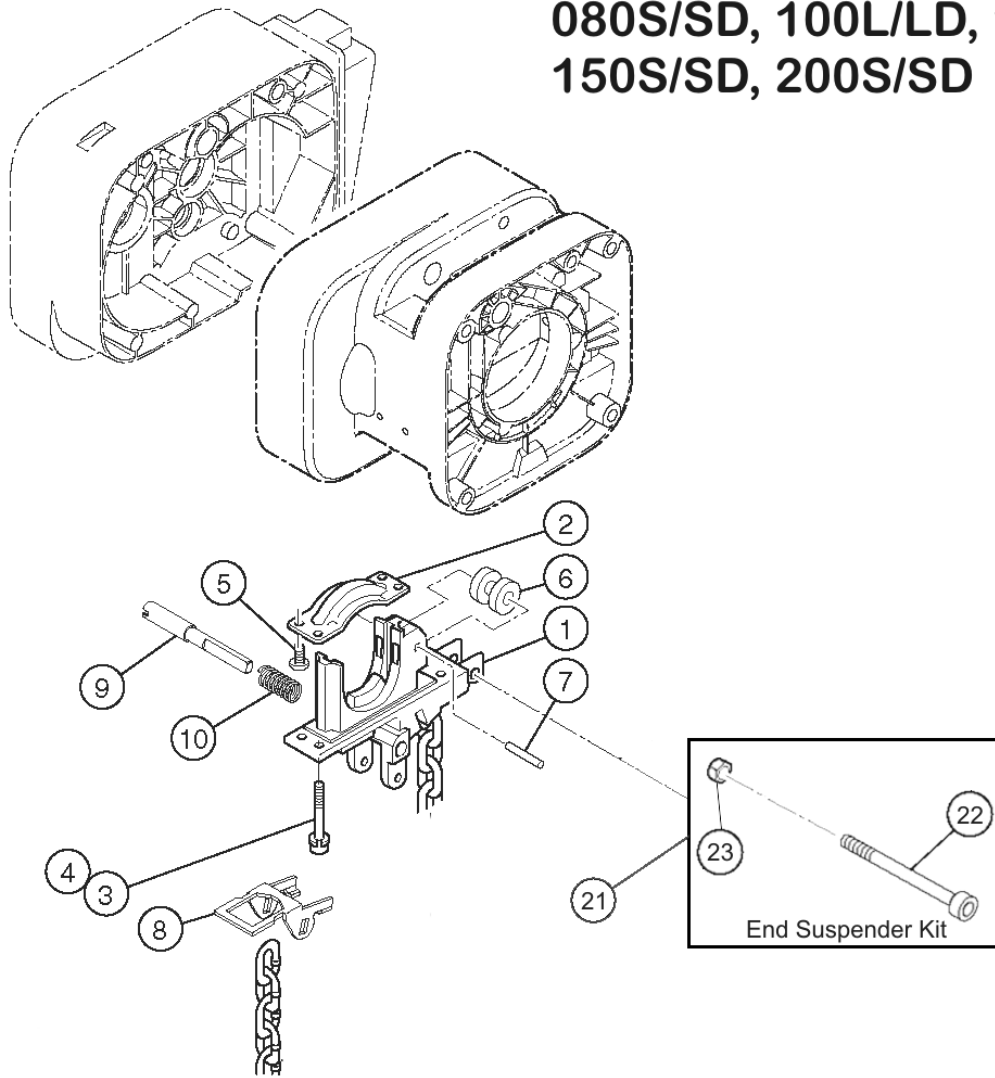


Figure 9-3-1 Chain Parts

9.3 Chain Parts

Figure No.	Part Name	Parts Per Hoist	080S	100L	100S	150S	200S
1	Chain Guide A	1 (2)			ER2FS9331		
2	Chain Guide B	1 (2)			ER2FS9332		
3	Socket Bolt	4 (8)			9091274		
4	Spring Lock Washer	4 (8)			9012711		
5	Machine Screw With Spring Washer	4 (8)			E6F151003		
6	Guide Roller	1 (2)			ER1EM9333		
7	Roller Pin	1 (2)			ER2FS9334		
8	Limit Lever	1 (2)			ER2FS9337		
9	Limit Lever Pin	1 (2)			ER2FS9338		
10	Limit Lever Spring	1 (2)			ER2CS9357		
21	End Suspender Kit	1 (2)			ENDS2F2		
22	Socket Bolt	1 (2)			90912140		
23	Lever Nut	1 (2)			ES066075		

*Quantities in "()" are for dual-body hoists.

9.4 Bottom Hook Parts

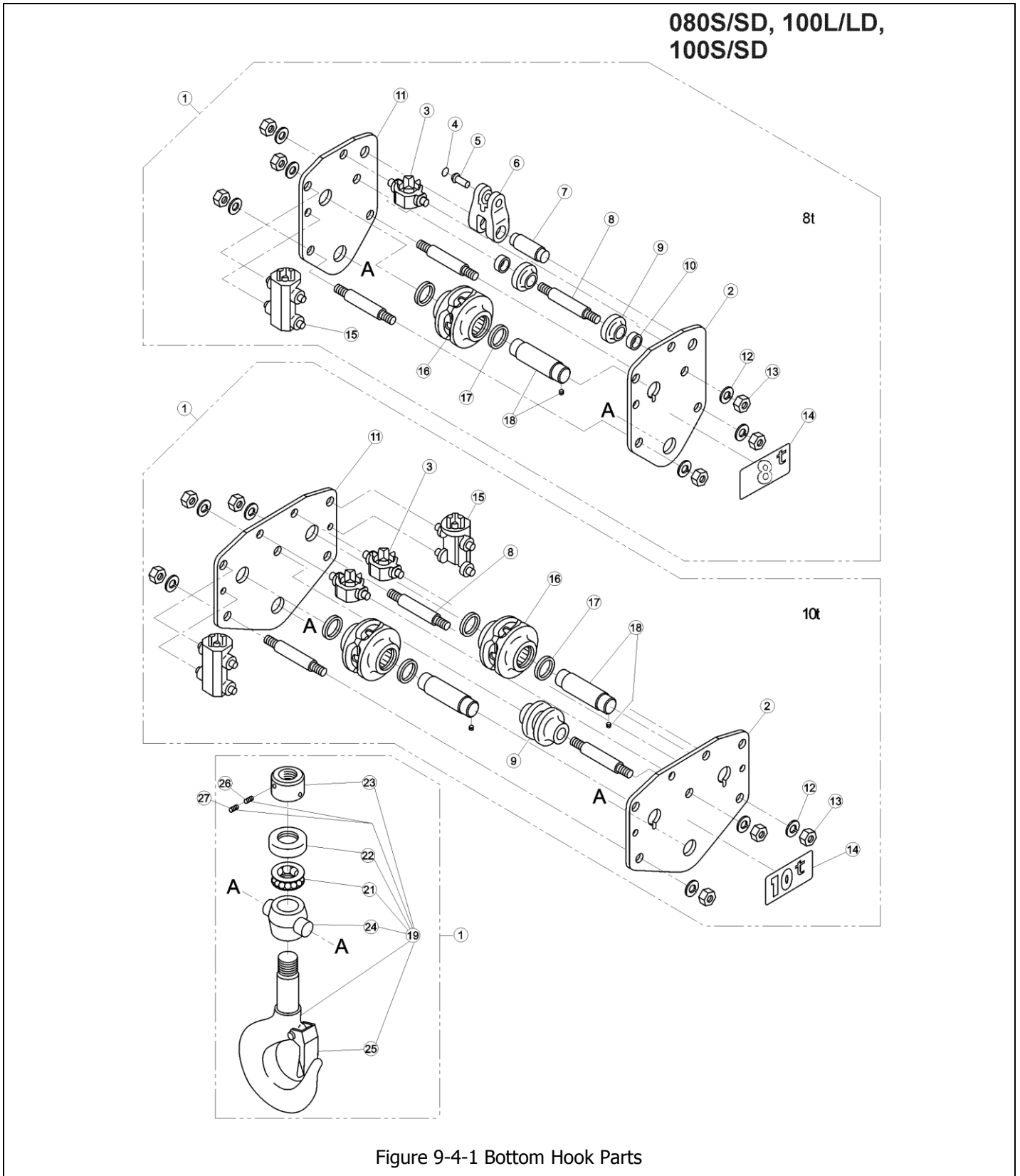


Figure 9-4-1 Bottom Hook Parts

9.4 Bottom Hook Parts

Figure No.	Part Name	Parts Per Hoist	080S	100L	100S
1	Bottom Hook Complete Assembly	1	ER2HS1121	ER2IS1121	
2	Bottom Suspension Plate A	1	ER2HS9034	ER2IS9034	
3	Bottom Cross Guide	1 (2)	E6S067075		
4	Snap Ring	1	9047221		
5	Chain Pin	1	E6S041075		
6	Chain Holder	1	E6S039075		
7	Chain Holder Pin	1	E6S040075		
8	Bottom Stay Bolt	3	E6S038075		
9	Guide Roller	2	E6S062075		
	Bottom Guide Roller	1		E6S063100	
10	Bottom Collar	2	E6S065075		
11	Bottom Suspension Plate B	1	ER2HS9035	ER2IS9035	
12	Spring Washer	6	9012717		
13	Nut	6	9093445		
14	Name Plate A	1	80053	ER1IS9069	
15	Bottom Chain Guide	1 (2)	E6S066075		
16	Bottom Idle Sheave Assembly	1 (2)	ER2HSS052		
17	Thrust Needle Bearing	2 (4)	ER1HS9182		
18	Bottom Shaft Assembly	1 (2)	E6S5054075		
19	Top/Bottom Hook Assembly	1	ER2HS2121	ER2IS2121	
21	Thrust Bearing	1	ES022100		
22	Bearing Cover	1	E6S023100		
23	Hook Nut	1	ES024100		
24	Bottom Yoke	1	E6S030100		
25	Safety Latch Assembly	1	M2071100	C2BA1501071	
26	Stopper Screw A	1	J1TB01110016		
27	Stopper Screw B	1	J1TB01110008		

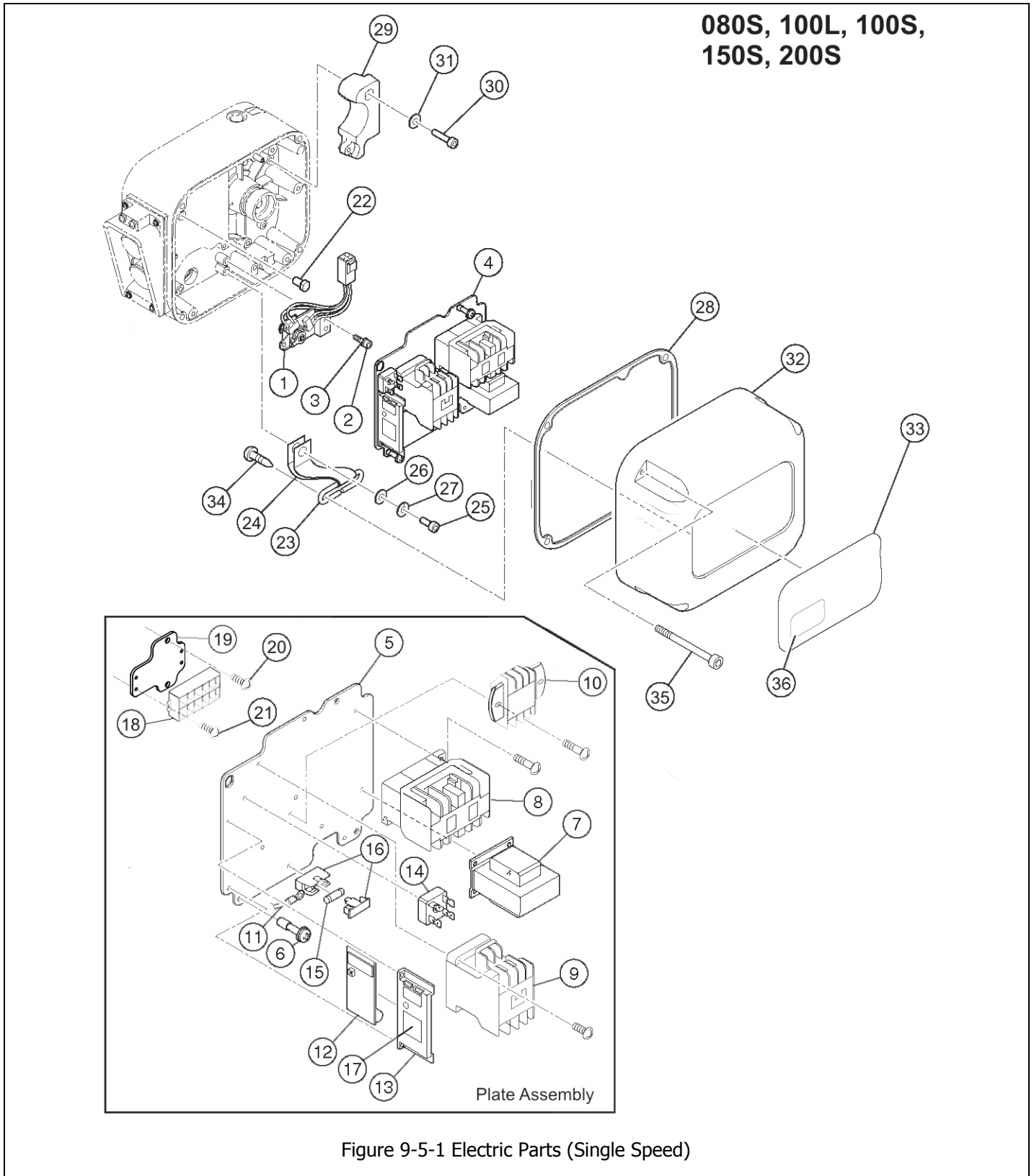
*Quantities in "()" are for 10 ton hoists.

9.4 Bottom Hook Parts

Figure No.	Part Name	Parts Per Hoist	150S	200S
1	Top/Bottom Hook Complete Assembly	1	ER2JS1121	ER2KS1121
2	Top/Bottom Suspension Plate B Assembly	1	ER2JS5035	ER2KS5035
3	Bottom Chain Guide	2	E6S066150	
4	Thrust Needle Bearing	6 (8)	ER1HS9182	
5	Bottom Idle Sheave Assembly	3 (4)	ER2HS5052	
6	Bottom Shaft Assembly	3 (4)	E6S5054075	
7	Bottom Cross Guide	4 (6)	E6S067150	
8	Bottom Collar	4 (6)	E6S065150	
9	Guide Roller	4 (6)	E6S062075	
10	Bottom Stay Bolt	4 (7)	E6S038150	
11	Bottom Suspension Plate A Assembly	1	ER2JS5034	ER2KS5034
12	Spring Washer	8 (14)	9012717	
13	Nut	8 (14)	9093445	
14	Name Plate A	1	ER1JS9069	ER1KS9069
15	Bottom Hook Assembly	1	ER2JS2121	ER2KS2121
16	Bottom Hook	1	ER2JS9121	ER2KS9121
17	Thrust Bearing	1	ES022150	ES022200
18	Bearing Cover	1	E6S023150	E6S023200
19	Hook Nut	1	E6S024150	E6S024200
20	Bottom Yoke	1	E6S030150	E6S030200
21	Safety Latch Assembly	1	M2071200	C2BA3001071
22	Stopper Screw A	1	J1TB01110016	
23	Stopper Screw B	1	J1TB01110010	

*Quantities in "()" are for 20 ton hoists.

9.5 Electric Parts (Single Speed)



9.5 Electric Parts (Single Speed)

Figure No.	Part Name	Parts Per Hoist	080S	100L	100S	150S	200S
1	Limit Switch Complete Assembly	1 (2)	ER2CI1060				
2	Socket Bolt	3 (6)	9091247				
3	Spring Lock Washer	3 (6)	9012709				
4	Plate Assembly	1 (2)	ER2GHM20S5A2				
5	Plate	1 (2)	ER2ES9441				
6	Plate Screw	3 (6)	ER1BS9445				
7	Transformer	1 (2)	TRF73V611				
8	Electromagnetic Contactor	1 (2)	MGC23406B				
9	E-Stop Contactor	1 (2)	MGC13306H				
10	Terminal Block 3P	1 (2)	ECP1303AB				
11	Lead Wire	1 (2)	ER2GHM020S9A2				
12	CH Meter	1 (2)	ECP91CHAE				
13	CH Meter Support	1 (2)	ECP99BKBA				
14	Rectifier	1 (2)	ECP94DIAA				
15	Fuse	1 (2)	9006275				
16	Fuse Holder	1 (2)	ECP92FZAA				
17	Name Plate CH	1 (2)	ECP99CHAA				
18	Terminal Block 6P	1 (2)	ECP1306AF				
19	Terminal Block Holder	1 (2)	ER2ES9466				
20	Flat Head Machine Screw	2 (4)	9096528				
21	Machine Screw	2 (4)	9798512				
22	Fulcrum Pin	1 (2)	ER2CS9449				
23	Cover Suspender	1 (2)	ER2CS9456				
24	Cover Belt	1 (2)	ER2CS9457				
25	Socket Bolt	1 (2)	9091249				
26	Plain Washer	1 (2)	ER1BS9436				
27	Spring Lock Washer	1 (2)	9012709				
28	Packing C	1 (2)	ER2FS9117				
29	Balancer	1 (2)	ER2FS9109				
30	Socket Bolt	3 (6)	9091273				
31	Spring Lock Washer	3 (6)	9012711				
32	Controller Cover	F	ER2FS9104				
		M	ER2FS2302				
33	Name Plate B	1 (2)	ER2BHM25S9A5				
34	Pan Head Machine Screw	2 (4)	9798534				
35	Machine Screw Socket Bolt	4 (8)	J1BG10504022				
36	Nameplate D	1 (2)	ER2BHM75S9A6	ER2BHM1QS9A6	ER2BHM1PS9A6	ER2BHM2QS9A6	

*Quantities in "()" are for dual-body hoists.

9.6 Electric Parts (Dual Speed)

080SD, 100LD, 100SD,
150SD, 200SD

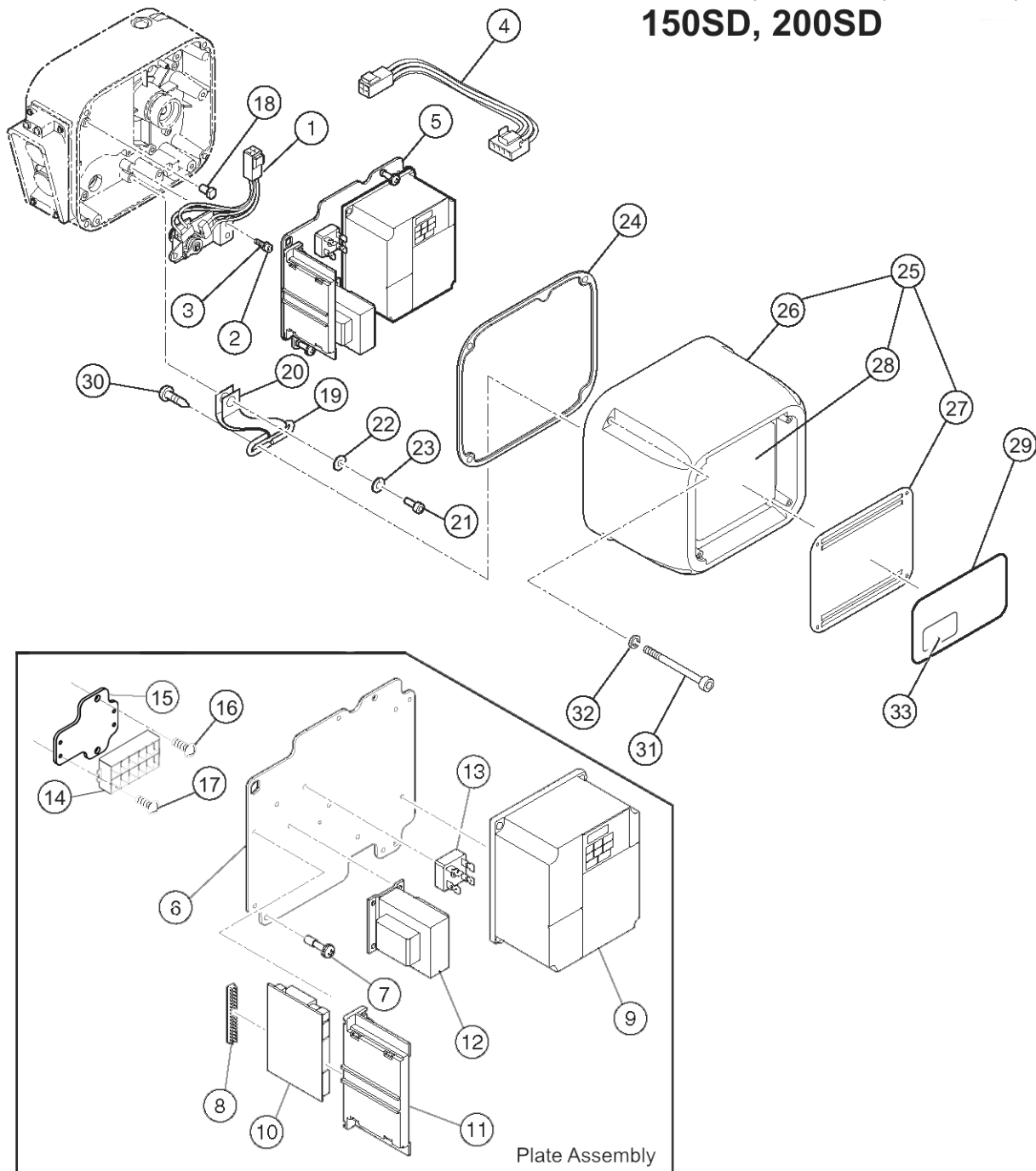


Figure 9-6-1 Electric Parts (Dual Speed)

9.6 Electric Parts (Dual Speed)

Figure No.	Part Name	Parts Per Hoist	080SD	100LD	100SD	150SD	200SD
1	Limit Switch Complete Assembly	1 (2)	ER2CI1060				
2	Socket Bolt	3 (6)	9091247				
3	Spring Lock Washer	3 (6)	9012709				
4	LS Harness	1 (2)	ER2CI9554				
5	Plate Assembly	M, 2V	1 (2)	ER2LHE20I5A2			
		F, 2V	1 (2)	ER2BHE20I5A2			
		M, 4V	1 (2)	ER2LHN20I5A2			
		F, 4V	1 (2)	ER2BHN20I5A2			
6	Plate	1 (2)	ER2EI9441				
7	Plate Screw	3 (6)	ER1BS9445				
8	Bushing	1 (2)	ECP99JBAC				
9	Inverter Assembly	M, 2V	1 (2)	INV637E24			
		F, 2V		INV637E21			
		M, 4V		INV637N24			
		F, 4V		INV637N21			
10	Interface Board	1 (2)	ECP91KB02				
11	Board Support	1 (2)	ECP99BKAA				
12	Transformer	2V	1 (2)	TRF32C612			
		4V		TRF32N612			
13	Rectifier	1 (2)	ECP94DIAA				
14	Terminal Block 6P	1 (2)	ECP1306AF				
15	Terminal Block Holder	1 (2)	ER2ES9466				
16	Flat Head Machine Screw	2 (4)	9096528				
17	Machine Screw	2 (4)	9798512				
18	Fulcrum Pin	1 (2)	ER2CS9449				
19	Cover Suspender	1 (2)	ER2CS9456				
20	Cover Belt	1 (2)	ER2CS9457				
21	Socket Bolt	1 (2)	9091249				
22	Plain Washer	1 (2)	ER1BS9436				
23	Spring Lock Washer	1 (2)	9012709				
24	Packing C	1 (2)	ER2FS9117				
25	Controller Cover Assembly	2V	1 (2)	ER2FI2104			
		4V		ER2FI1104			
26	Controller Cover	1 (2)	ER2FI9104				
27	Resistor Cover	1 (2)	ER2EI9185				
28	Braking Resistor	2V	1 (2)	INV735E16			
		4V		INV735Y16			
29	Name Plate B	1 (2)	ER2BHM20I9A5				
30	Pan Head Machine Screw	2 (4)	9798534				
31	Socket Bolt	4 (8)	9091254				
32	Toothed Lock Washer	4 (8)	9679709				
33	Nameplate D	1 (2)	ER2BHM75I9A6	ER2BHM1QI9A6	ER2BHM1PI9A6	ER2BHM2QI9A6	

*Quantities in "()" are for dual-body hoists.

9.7 Power Supply and Pendant Parts

080S/SD, 100L/LD, 100S/SD, 150S/SD, 200S/SD

8t, 10t(L)

10t(S), 15t, 20t

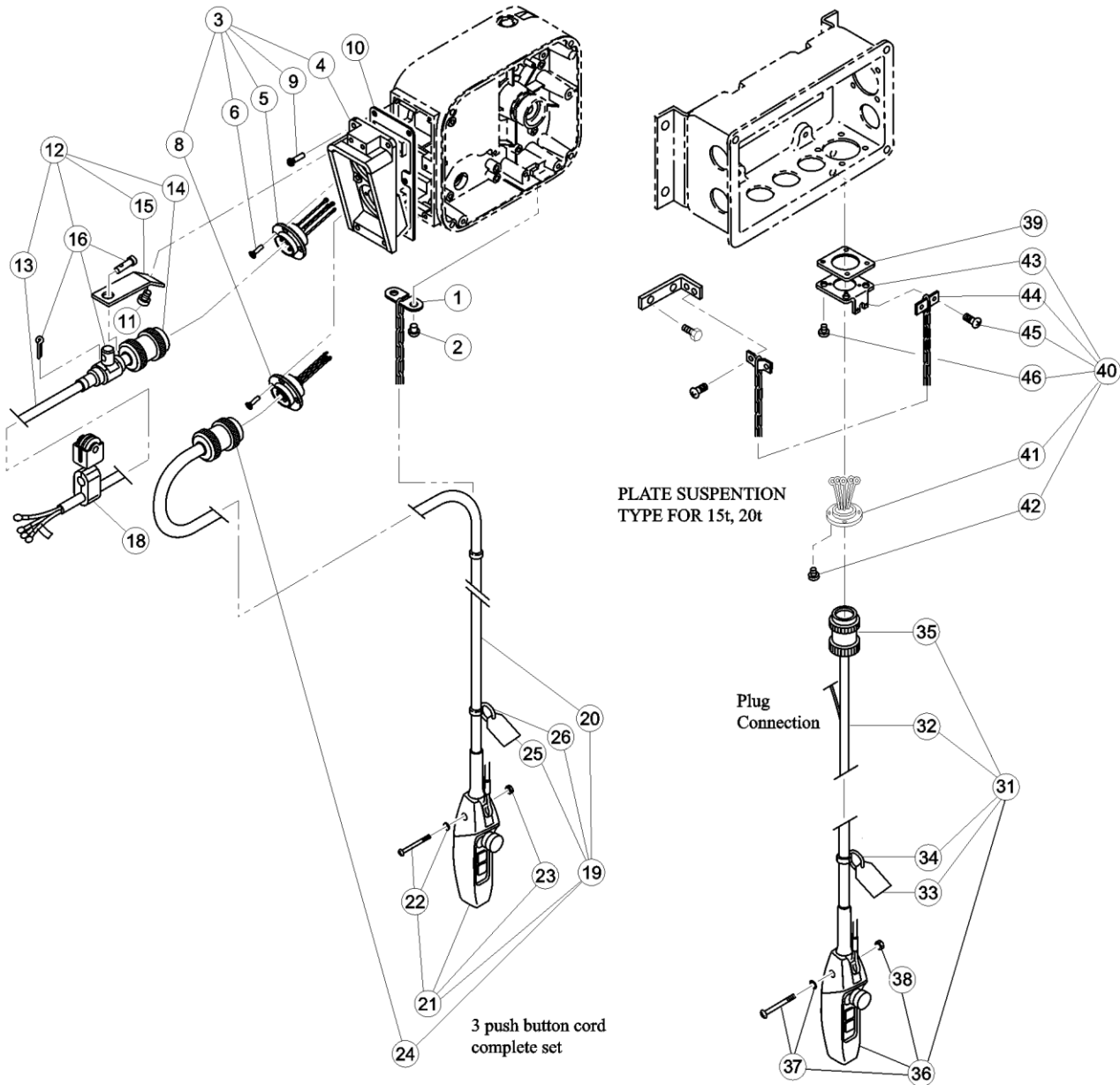


Figure 9-7-1 Power Supply and Pendant Parts (Plug Connection)

9.7 Power Supply and Pendant Parts

Figure No.	Part Name	Parts Per Hoist	080S	100L
1	Cord Support (Wire Stop)	1		ER1BS9535
2	Machine Screw With Spring Washer	2		M6F554010
3	Socket Frame Complete Assembly	S	1	ER2ES4511
		D		ER2EI4511
4	Socket Frame	1		ER2CS9511
5	Socket 4P Assembly	S	1	ER2ES2523
		D		ER2EI2523
6	Tapping Flat Head Machine Screw	8		ES558003
8	Socket 8P Assembly	S	1	ER2CS2564
		D		ER2EI2564
9	Machine Screw With Spring Washer	6		MS561010
10	Socket Frame Packing	1		ER2CS9512
11	Machine Screw With Spring Washer	2		ES650005S
12	Power Supply Cable 4C Assembly	1		ZBZA12AH1000
13	Power Supply Cable 4C	1		14/4
14	Plug 4P	1		ECP2304AF
15	Cable Support Arm	1		ER1BS9541
16	Cable Support	1		M3ES0101724
18	Cable Hanger 14 Assembly	A/R		ES1527003
19	Pendant W/Cord Complete Assembly	S	1	ZB10025H1000
		D		ZB20025I1000
20	Pendant Cord	S	ft	16/4P
		D		16/6P
21	Pendent Assembly	S	1	SWD1100AA
		D		SWD2200AA
22	Machine Screw	1		J1AP24002608
23	Nut	1		J1NA00410040
24	Plug 8P	S	1	ECP2108AA
		D		ECP2108AB
25	Warning Tag PB	1		WTAG7
26	Tag Holder	1		E3S787003

Figure No.	Part Name	Parts Per Hoist	100S	150S	200S
31	Pendant W/Cord Complete Assembly	S	1	ZB10025H1000	
		D		ZB20025I1000	
32	Pendant Cord	S	ft	16/4P	
		D		16/6P	
33	Warning Tag PB	1		WTAG7	
34	Tag Holder	1		E3S787003	
35	Plug 8P	S	1	ECP2108AA	
		D		ECP2108AB	
36	Pendent Assembly	S	1	SWD1100AA	
		D		SWD2200AA	
37	Machine Screw With Spring Washer	1		J1AP24002608	
38	Nut	1		J1NA00410040	
39	Cord Cover Packing	1		MS527010	
40	Socket 8P Complete Assembly	S	1	ER2CS2564	
		D		ER2EI2564	
41	Socket 8P Assembly	S	1	ER2CS2564	
		D		ER2EI2564	
42	Tapping Flat Head Machine Screw	4		E3S658015	
43	Cord Holder Support	1		MS529010	
44	Cord Support (Wire Stop)	1		M6F530010	
45	Machine Screw With Spring Washer	2		MS554010	
46	Machine Screw With Spring Washer	4		MS554010	

9.7 Power Supply and Pendant Parts

**080S/SD, 100L/LD, 100S/SD,
150S/SD, 200S/SD**

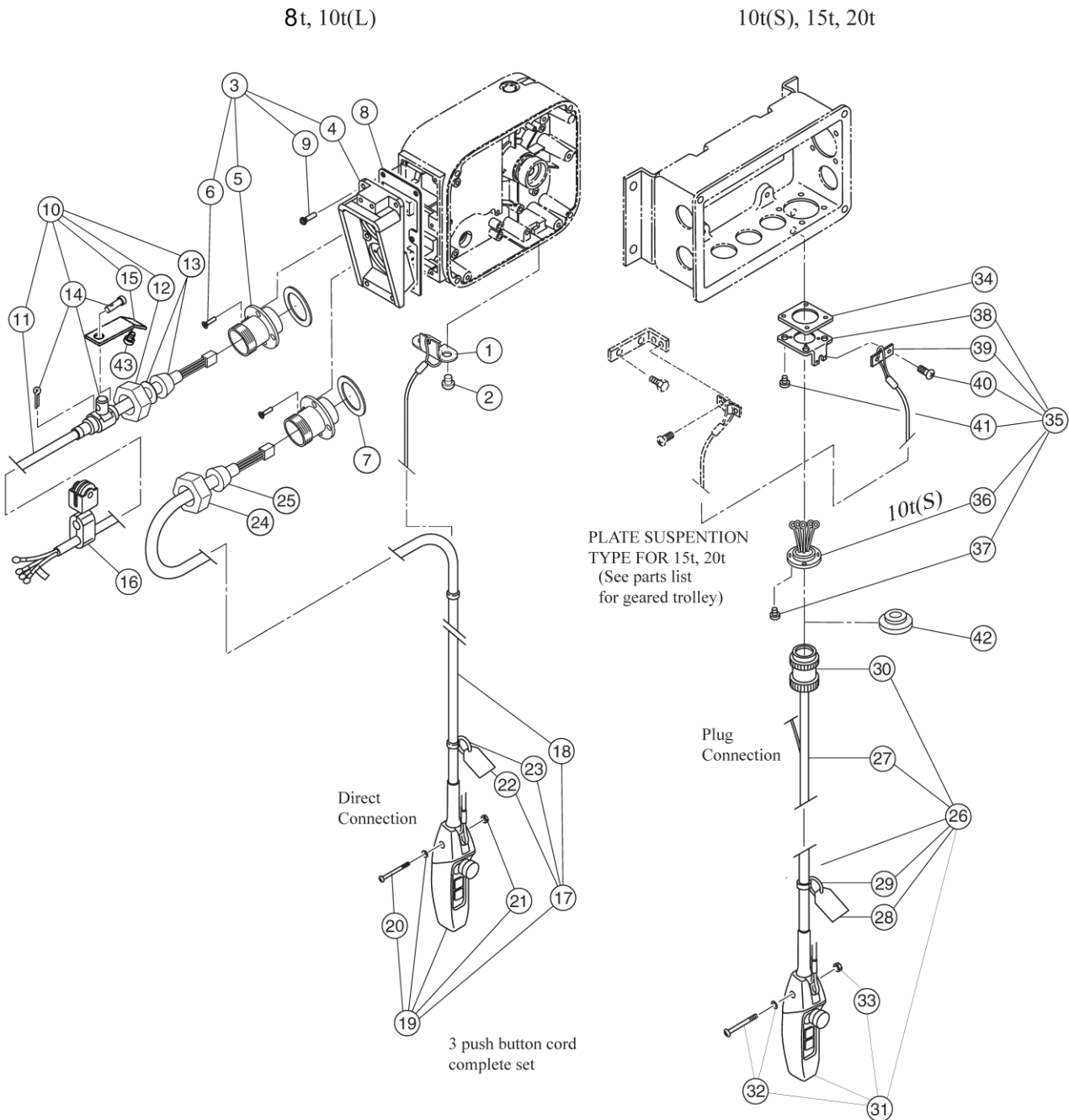


Figure 9-7-2 Power Supply and Pendant Parts (Direct Connection)

9.7 Power Supply and Pendant Parts

Figure No.	Part Name	Parts Per Hoist	080S	100L
1	Cord Support (Wire Stop)	1		ER1BS9535
2	Machine Screw With Spring Washer	2		M6F554010
3	Socket Frame Complete Assembly	1		ER2CS2511
4	Socket Frame	1		ER2CS9511
5	Holder C	2		ECP5924AL
6	Tapping Flat Head Machine Screw	8		ER1BS9517
7	Holder Packing	2		ECP5924AM
8	Socket Frame Packing	1		ER2CS9512
9	Machine Screw With Spring Washer	6		ES650005S
10	Power Supply Cable 4C Assembly	1		ZBZA12AH1000DW
11	Power Supply Cable 4C	1		14/4
12	Holder A	1		ECP5924AA
13	Cable Packing	1		ECP6914AA
14	Cable Support 14 Assembly	1		M3ES0101724
15	Cable Support Arm	1		ER1BS9541
16	Cable Hanger 14 Assembly	A/R		ES1527003
17	Pendant W/Cord Complete Assembly	S	1	ZB10025H1000DW
		D		ZB20025I1000DW
18	Pendant Cord	S	ft	16/4P
		D		16/6P
19	Pendent Assembly	S	1	SWD2100AA
		D		SWD2200AA
20	Machine Screw	1		J1AP24002608
21	Nut	1		J1NA00410040
22	Warning Tag PB	1		WTAG7
23	Tag Holder	1		E3S787003
24	Holder A	1		ECP5924AA
25	Cable packing	1		ECP6912AA
43	Machine Screw With Spring Washer	2		ES650005S

Figure No.	Part Name	Parts Per Hoist	100S	150S	200S
26	Pendant W/Cord Complete Assembly	S	1	ZB10025H1000	
		D		ZB20025I1000	
27	Pendant Cord	S	ft	16/4P	
		D		16/6P	
28	Warning Tag PB	1		WTAG7	
29	Tag Holder	1		E3S787003	
30	Plug 8P	S	1	ECP2108AA	
		D		ECP2108AB	
31	Pendent Assembly	S	1	SWD1100AA	
		D		SWD2200AA	
32	Machine Screw With Spring Washer	1		J1AP24002608	
33	Nut	1		J1NA00410040	
34	Cord Cover Packing	1		MS527010	
35	Socket 8P Complete Assembly	S	1	ER2CS2564	
		D		ER2EI2564	
36	Socket 8P Assembly	S	1	ER2CS2564	
		D		ER2EI2564	
37	Tapping Flat Head Machine Screw	4		E3S658015	
38	Cord Holder Support	1		MS529010	
39	Cord Support (Wire Stop)	1		M6F530010	
40	Machine Screw With Spring Washer	2		MS554010	
41	Machine Screw With Spring Washer	4		MS554010	
42	Socket cover 4P	1		EOYS005-9973	

9.8 Top Suspension Plate Parts

080S/SD, 100L/LD, 100S/SD

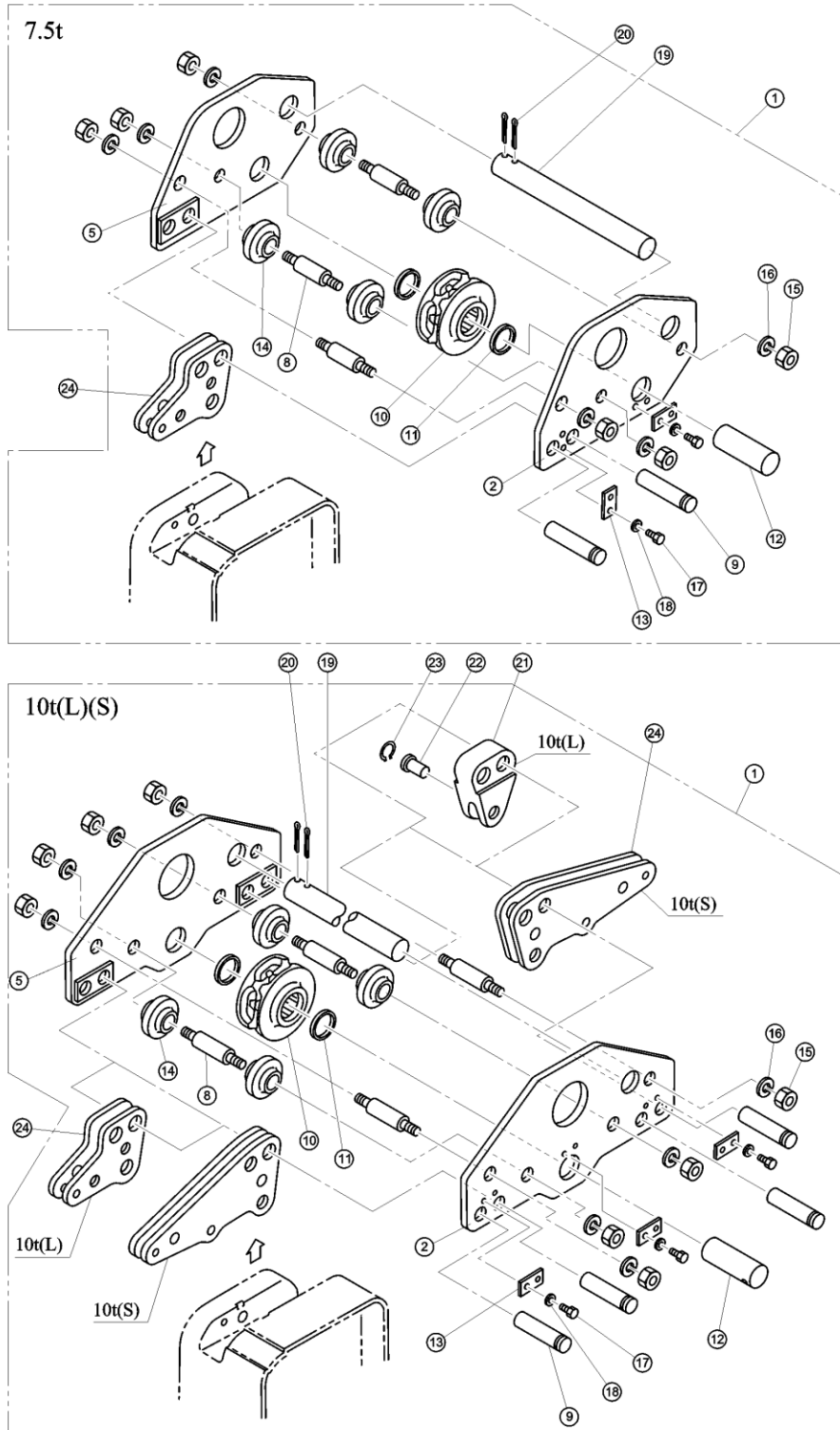


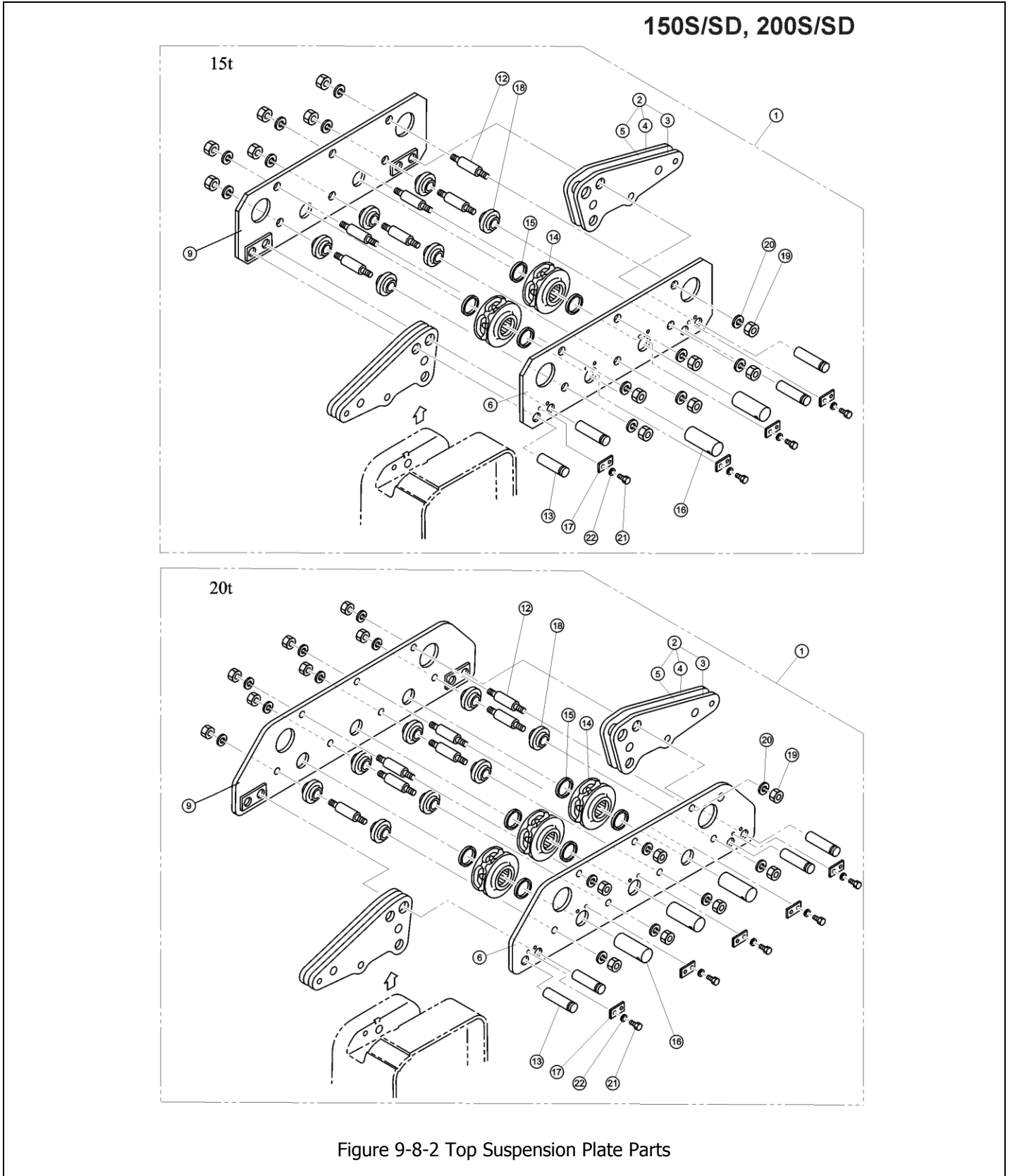
Figure 9-8-1 Top Suspension Plate Parts

9.8 Top Suspension Plate Parts

Figure No.	Part Name	Parts Per Hoist	080S	100L	100S
1	Top Suspension Plate Assembly	1	ER2HS1003	ER2IS1003	
2	Top Suspension Plate A Assembly	1	ER2HS5003	ER2IS5003	
5	Top Suspension Plate B Assembly	1	ER2HS5004	ER2IS5004	
8	Top Stay Bolt	3 (4)	E6S007075		
9	Suspension Shaft	2 (4)	E6S008075		
10	Top Idle Sheave Assembly	1	ER2HS5051		
11	Thrust Needle Bearing	2	ER1HS9182		
12	Top Shaft	1	E6S053075		
13	Shaft Stopper A	2 (3)	ER1HS9056		
14	Guide Roller	4	E6S062075		
15	Nut	6 (8)	9093445		
16	Spring Washer	6 (8)	9012717		
17	Socket Bolt	4 (6)	9091271		
18	Spring Washer	4 (6)	9012711		
19	Stopper Shaft	1	E6SE075S9010		
	Stopper Shaft (300)	1	E7SE075S9019		
20	Split Pin	2	9009448		
21	Chain Holder	1		ER1IL9017	
22	Chain Pin	1		E6S041075	
23	Snap Ring	1		9047221	
24	Connection Yoke Assembly	1	ER2HS5005		ER2IS5005 (2 Required)

*Quantities in "()" are for 10 ton hoists.

9.8 Top Suspension Plate Parts



9.8 Top Suspension Plate Parts

Figure No.	Part Name	Parts Per Hoist	150S	200S
1	Top Suspension Plate Assembly	1	ER2JS1003	ER2KS1003
2	Connection Yoke Assembly	2	ER2IS5005	
3	Connection Yoke A	2	ER2IS9005	
4	Connection Yoke B	2	ER2IS9006	
5	Connection Yoke Pin	4	ER2HS9016	
6	Top Suspension Plate A Assembly	1	ER2JS5003	ER2KS5003
9	Top Suspension Plate B Assembly	1	ER2JS5004	ER2KS5004
12	Top Stay Bolt	6 (7)	E6S007075	
13	Suspension Shaft	4	E6S008075	
14	Top Idle Sheave Assembly	2 (3)	ER2HS5051	
15	Thrust Needle Bearing	4 (6)	ER1HS9182	
16	Top Shaft	2 (3)	E6S053075	
17	Shaft Stopper A	4 (5)	ER1HS9056	
18	Guide Roller	6 (8)	E6S062075	
19	Nut	12(14)	9093445	
20	Spring Washer	12 (14)	9012717	
21	Socket Bolt	8 (10)	9091271	
22	Spring Washer	8 (10)	9012711	

*Quantities in "()" are for 20 ton hoists.

9.9 Top Hook Parts

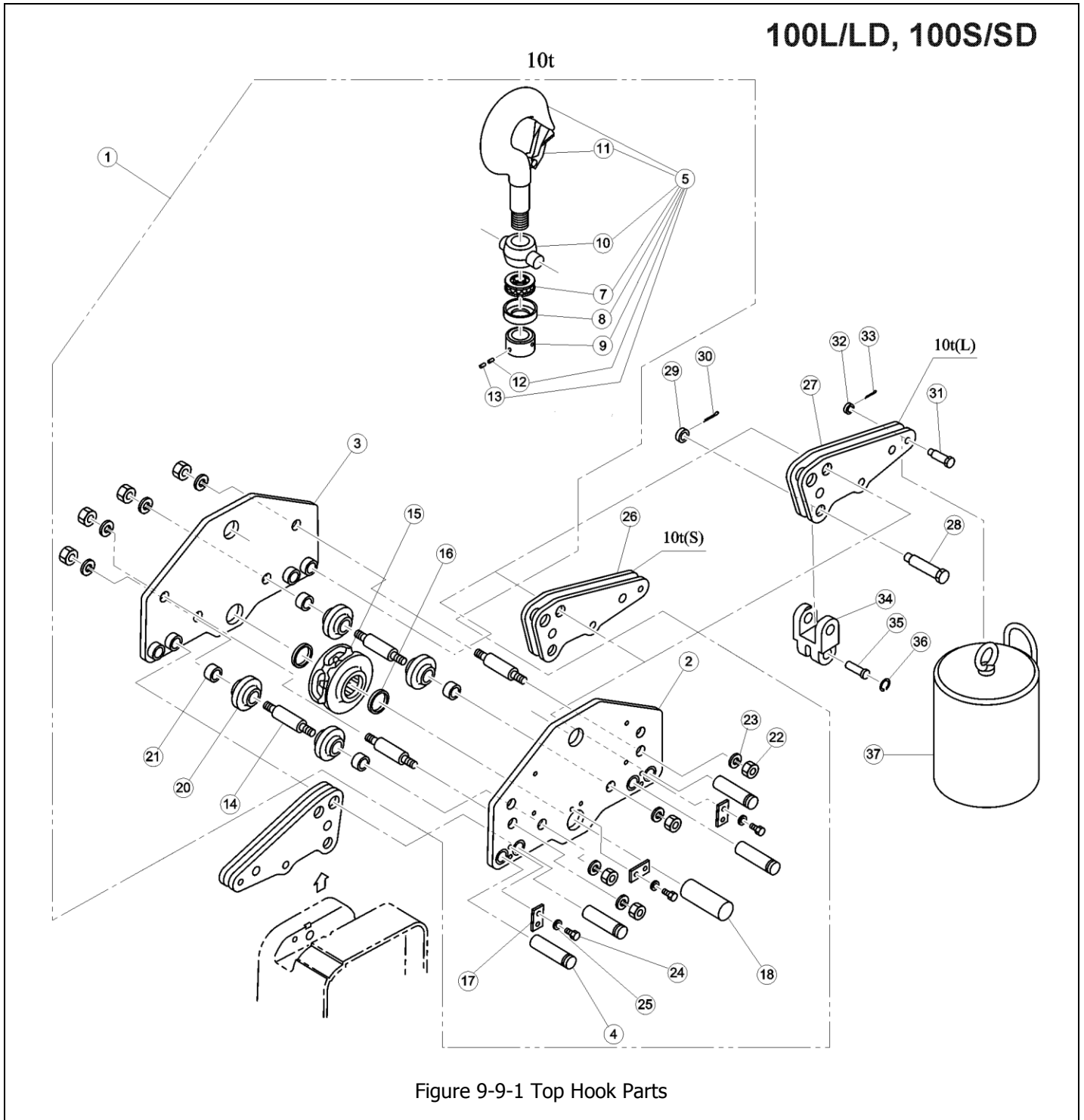


Figure 9-9-1 Top Hook Parts

9.9 Top Hook Parts

Figure No.	Part Name	Parts Per Hoist	100L	100S
1	Top Hook Complete Assembly	1		ER2IS1011
2	Top Suspension Plate A Assembly	1		ER2IS5011
3	Top Suspension Plate B Assembly	1		ER2IS5012
4	Suspender Shaft B	4		E6S013100
5	Top/Bottom Hook Assembly	1		ER2IS2121
7	Thrust Bearing	1		ES022100
8	Bearing Cover	1		E6S023100
9	Hook Nut	1		ES024100
10	Bottom Yoke	1		E6S030100
11	Safety Latch Assembly	1		C2BA1501071
12	Stopper Screw A	1		J1TB01110016
13	Stopper Screw B	1		J1TB01110008
14	Bottom Stay Bolt	4		E6S038075
15	Bottom Idle Sheave Assembly	1		ER2HS5052
16	Thrust Needle Bearing	2		ER1HS9182
17	Shaft Stopper A	3		ER1IS9056
18	Top Shaft B	1		E6S057100
20	Guide Roller	4		E6S062075
21	Bottom Collar	4		E6S065075
22	Nut	8		9093445
23	Spring Washer	8		9012717
24	Socket Bolt	6		9091271
25	Spring Washer	6		9012711
26	Connection Yoke Assembly	2		ER2IS5005
27	Connection Yoke Assembly	1	ER2IL5155	
28	Yoke Bolt	1	ER1ES9032	
29	Slotted Nut	1	ES088020L	
30	Split Pin	1	9009436	
31	Chain Pin	1	ES041050	
32	Slotted Nut	1	M2049030	
33	Split Pin	1	9009424	
34	Chain Holder	1	ER1IL9171	
35	Chain Pin	1	E6S041075	
36	Snap Ring	1	9047221	
37	Balance Weight Assembly	1	7021002	

9.9 Top Hook Parts

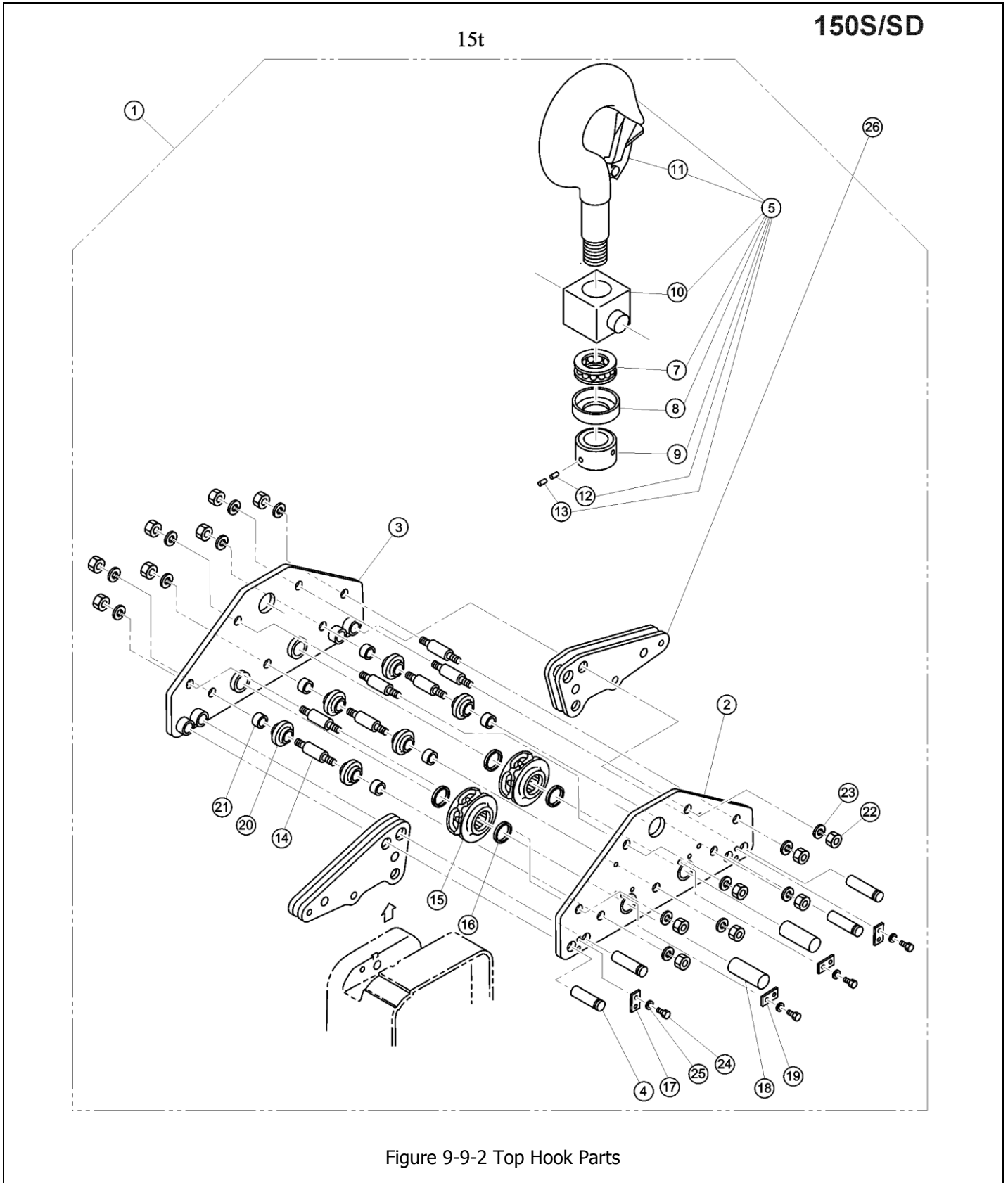


Figure 9-9-2 Top Hook Parts

9.9 Top Hook Parts

Figure No.	Part Name	Parts Per Hoist	150S
1	Top Hook Complete Assembly	1	ER2JS1011
2	Top Suspension Plate A Assembly	1	ER2JS5011
3	Top Suspension Plate B Assembly	1	ER2JS5012
4	Suspender Shaft B	4	E6S013150
5	Top/Bottom Hook Assembly	1	ER2JS2121
7	Thrust Bearing	1	ES022150
8	Bearing Cover	1	E6S023150
9	Hook Nut	1	E6S024150
10	Bottom Yoke	1	E6S030150
11	Safety Latch Assembly	1	M2071200
12	Stopper Screw A	1	J1TB01110016
13	Stopper Screw B	1	J1TB01110010
14	Bottom Stay Bolt	7	E6S038150
15	Bottom Idle Sheave Assembly	2	ER2HS5052
16	Thrust Needle Bearing	4	ER1HS9182
17	Shaft Stopper A	2	ER1IS9056
18	Top Shaft B	2	E6S057150
19	Shaft Stopper B	2	ER1JS9060
20	Guide Roller	6	E6S062075
21	Bottom Collar	6	E6S065150
22	Nut	14	9093445
23	Spring Washer	14	9012717
24	Socket Bolt	8	9091271
25	Spring Washer	8	9012711
26	Connection Yoke Assembly	2	ER2IS5005

9.9 Top Hook Parts

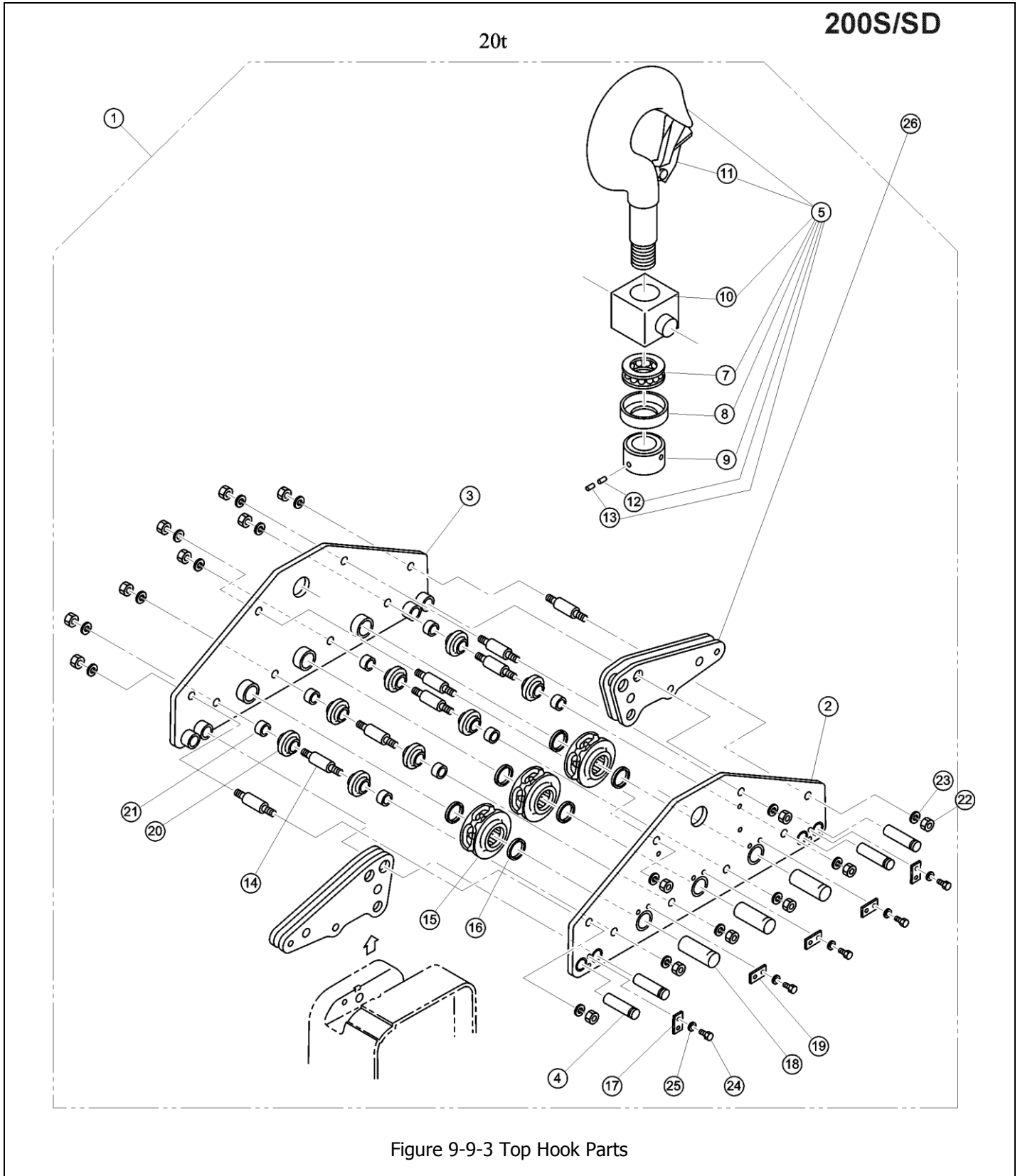


Figure 9-9-3 Top Hook Parts

9.9 Top Hook Parts

Figure No.	Part Name	Parts Per Hoist	200S
1	Top Hook Complete Assembly	1	ER2KS1011
2	Top Suspension Plate A Assembly	1	ER2KS5011
3	Top Suspension Plate B Assembly	1	ER2KS5012
4	Suspender Shaft B	4	E6S013150
5	Top/Bottom Hook Assembly	1	ER2KS2121
7	Thrust Bearing	1	E6S038150
8	Bearing Cover	1	E6S023200
9	Hook Nut	1	E6S024200
10	Bottom Yoke	1	E6S030200
11	Safety Latch Assembly	1	C2BA3001071
12	Stopper Screw A	1	J1TB01110016
13	Stopper Screw B	1	J1TB01110010
14	Bottom Stay Bolt	8	E6S038150
15	Bottom Idle Sheave Assembly	3	ER2HS5052
16	Thrust Needle Bearing	6	ER1HS9182
17	Shaft Stopper A	2	ER1IS9056
18	Top Shaft B	3	E6S067150
19	Shaft Stopper B	3	ER1JS9060
20	Guide Roller	8	E6S062075
21	Bottom Collar	8	E6S065150
22	Nut	16	9093445
23	Spring Washer	16	9012717
24	Socket Bolt	10	9091271
25	Spring Washer	10	9012711
26	Connection Yoke Assembly	2	ER2IS5005

9.10 Control Station Parts (Plate Suspension Type)

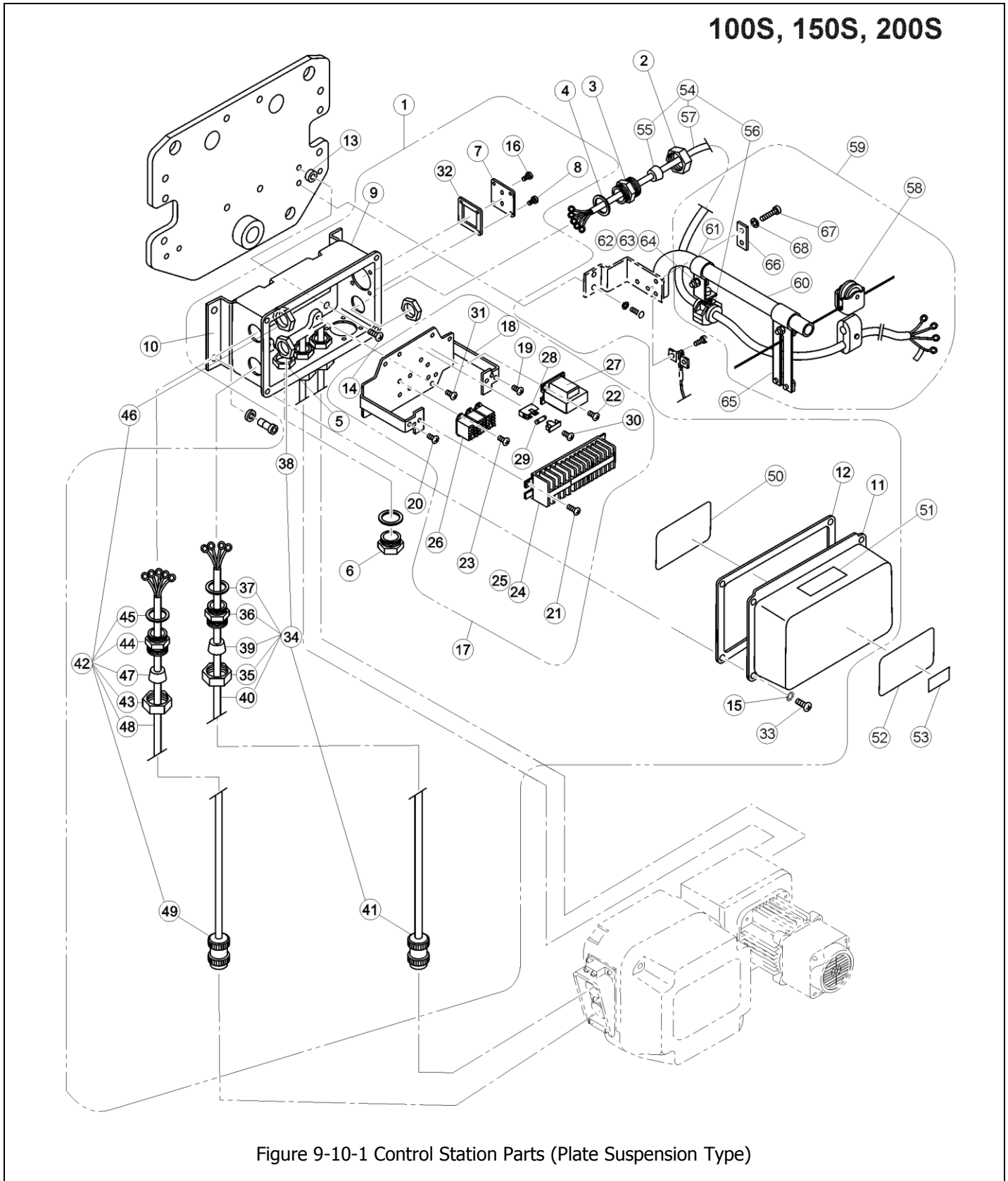


Figure 9-10-1 Control Station Parts (Plate Suspension Type)

9.10 Control Station Parts (Plate Suspension Type)

Figure No.	Part Name	Parts Per Hoist		100S	150S	200S
				7015601	7015602	
1	Connection Box Complete Assembly	S	1	7015701	7015702	
		D				
2	Holder A		1		ECP5924AA	
3	Holder B		1		ECP5924AB	
4	Packing		2		ECP5924AC	
5	Holder Nut		2		ECP5924AD	
6	Holder Cover		1		ECP5924AE	
7	Cord Cover		1		ER1IS9347	
8	Machine Screw With Spring Washer		4		MS554010	
9	Connection Box		1		MR1IS9401	
10	Connection Box Holder		1		MR1HS9405	
11	Connection Box Cover		1		MR1DS9411	
12	Connection Box Packing		1		MR1DS9421	
13	Spacer		4		MS517010	
14	Machine Screw With Spring Washer		4		J1AP28001414	
15	Toothed Lock Washer		4		9679708	
16	Machine Screw With Spring Washer		2		E6F151003	
17	Plate Complete Assembly	S	1	ER2GHM1QS1A8		
		D		ER2GHM1QI1A8		
18	Plate Assembly		1		MR2IS5445	
19	Machine Screw With Spring Washer		1		MS554010	
20	Machine Screw With Spring Washer		3		MS555010	
21	Machine Screw With Spring Washer		2		MS554010	
22	Machine Screw With Spring Washer		2		MS555010	
23	Machine Screw With Spring Washer		6		J1AW23000808	
24	Terminal 16P		1		ECP1610AA	
26	Relay	S	3	MGC42C26A		
		D	4			
27	Transformer		1		TRF32K611	
28	Fuse Holder		1		ECP92FZAA	
29	Fuse		1		ECP91FZ01	
30	Machine Screw With Spring Washer		1		E2D667125	
31	Machine Screw With Spring Washer		4		MS554010	
32	Cord Cover Packing		1		MS527010	
33	Machine Screw With Spring Washer		4		MS554010	
34	Cable 4C Assembly		2	MR2IS1759	MR2JS1759	
35	Holder A		2		ECP5924AA	
36	Holder B		2		ECP5924AB	
37	Packing		2		ECP5924AC	
38	Holder Nut		2		ECP5924AD	
39	Cable Packing		2		ECP6916AA	
40	Cable 4C		ft		14/4	
41	Plug 4P		2		ECP2304AF	
42	Cable 4C Assembly	S	2	MR2IS1768	MR2JS1768	
		D		MR2IS3768	MR2JS3768	
43	Holder A		2		ECP5924AA	
44	Holder B		2		ECP5924AB	
45	Packing		2		ECP5924AC	
46	Holder Nut		2		ECP5924AD	
47	Cable Packing		2		ECP6916AA	
48	Cable 4C	S	ft	16/4P		
		D		16/6P		
49	Plug 4P		2		ECP2108AC	
50	Wiring Diagram	S	1	EWG3200H21		
		D		EWG3E00H21		
51	Warning Seal E (Electric Shock)		2		ER2CS9936	
52	Name Plate B		2		ER2BHM20I9A5	
53	Name Plate D		2	ER2BHM1QI9A6	ER2BHM1PI9A6	ER2BHM2QI9A6
54	Power Supply Cable 4C Assembly		2		ZBZC12BH2000	
55	Cable Packing		2		ECP6918AA	
56	Cable Support 19 Assembly		2		ECP5900CA	
57	Power Supply Cable 4C		ft		10/4	
58	Cable Hanger 15/17 Assembly		A/R		MS1733020	
59	Cable Support Bar Complete Assembly		1		MR1DS1491	
60	Cable Support Bar		1		MR1DS9491	
61	Cable Support Arm		1		MR1DS9492	
62	Bolt		2		9093328	
63	Spring Lock Washer		2		9012711	
64	Nut		2		9093424	
65	Wire Guide Assembly		1		MR1DS1493	
66	Support Bar Holder (Plate)		1		MR1DS9501	
67	Bolt		2		9093329	
68	Spring Lock Washer		2		9012711	

Note: A/R = As required, one every 5 ft. of Power Supply Cable.

9.11 Control Station Parts (Top Hook Type)

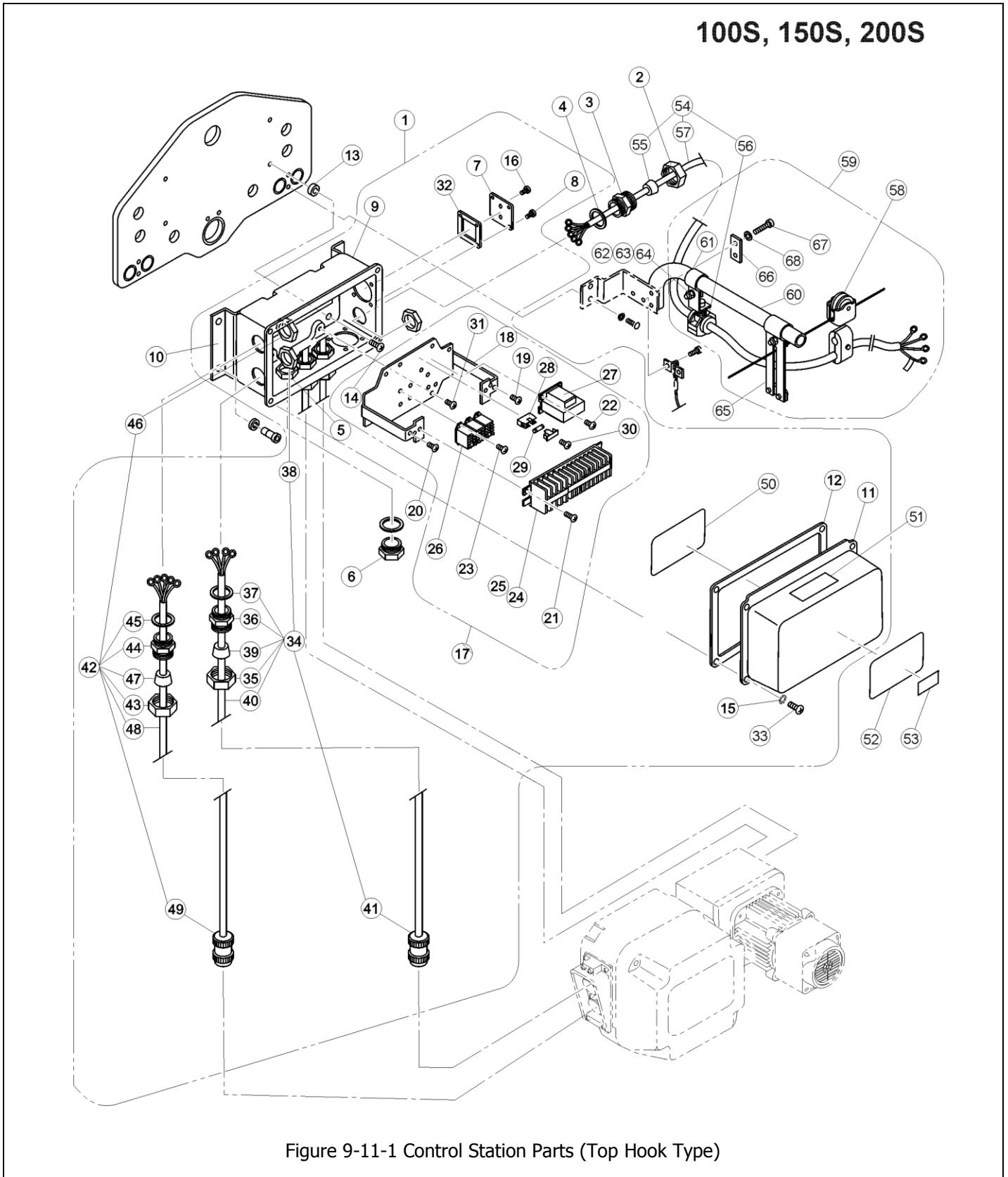


Figure 9-11-1 Control Station Parts (Top Hook Type)

9.11 Control Station Parts (Top Hook Type)

Figure No.	Part Name	Parts Per Hoist		100S	150S	200S
		S	D	7015601	7015602	
1	Connection Box Complete Assembly		1	7015701	7015702	
2	Holder A		1	ECP5924AA		
3	Holder B		1	ECP5924AB		
4	Packing		2	ECP5924AC		
5	Holder Nut		2	ECP5924AD		
6	Holder Cap		1	ECP5924AE		
7	Cord Cover		1	ER1IS9347		
8	Machine Screw With Spring Washer		4	MS554010		
9	Connection Box		1	MR1IS9401		
10	Connection Box Holder		1	MR1HS9405		
11	Connection Box Cover		1	MR1DS9411		
12	Connection Box Packing		1	MR1DS9421		
13	Spacer		4	MS517010		
14	Machine Screw With Spring Washer		4	J1AP28001414		
15	Toothed Lock Washer		4	9679708		
16	Machine Screw With Spring Washer		2	E6F151003		
17	Plate Complete Assembly	S	1	ER2GHM1QS1A8		
		D		ER2GHM1QI1A8		
18	Plate Assembly		1	MR2IS5445		
19	Machine Screw With Spring Washer		1	MS554010		
20	Machine Screw With Spring Washer		3	MS555010		
21	Machine Screw With Spring Washer		2	MS554010		
22	Machine Screw With Spring Washer		2	MS555010		
23	Machine Screw With Spring Washer		6	J1AW23000808		
24	Terminal 16P		1	ECP1610AA		
26	Relay	S	3	MGC42C26A		
		D	4			
27	Transformer		1	TRF32K611		
28	Fuse Holder		1	ECP92FZAA		
29	Fuse		1	ECP91FZ01		
30	Machine Screw With Spring Washer		1	E2D667125		
31	Machine Screw With Spring Washer		4	MS554010		
32	Cord Cover Packing		1	MS527010		
33	Machine Screw With Spring Washer		4	MS554010		
34	Cable 4C Assembly		2	MR2IS1759	MR2JS1759	
35	Holder A		2	ECP5924AA		
36	Holder B		2	ECP5924AB		
37	Packing		2	ECP5924AC		
38	Holder Nut		2	ECP5924AD		
39	Cable Packing		2	ECP6916AA		
40	Relay Cable 4C		ft	14/4		
41	Plug 4P		2	ECP2304AF		
42	Cable 4C Assembly	S	2	MR2IS1768	MR2JS1768	
	Cable 5C Assembly	D		MR2IS3768	MR2JS3768	
43	Holder A		2	ECP5924AA		
44	Holder B		2	ECP5924AB		
45	Packing		2	ECP5924AC		
46	Holder Nut		2	ECP5924AD		
47	Cable Packing		2	ECP6916AA		
48	Cable 4C	S	ft	16/4P		
	Cable 5C	D		16/6P		
49	Plug 4P		2	ECP2108AC		
50	Wiring Diagram	S	1	EWG3200H21		
		D		EWG3E00H21		
51	Warning Seal E (Electric Shock)		2	ER2CS9936		
52	Name Plate B		2	ER2BHM2019A5		
53	Name Plate D		2	ER2BHM1QI9A6	ER2BHM1PI9A6	ER2BHM2QI9A6
54	Power Supply Cable 4C Assembly		2	ZBZC12BH2000		
55	Cable Packing		2	ECP6918AA		
56	Cable Support 19 Assembly		2	ECP5900CA		
57	Power Supply Cable 4C		ft	10/4		
58	Cable Hanger 15/17 Assembly		A/R	MS1733020		
59	Cable Support Bar Complete Assembly		1	MR1DS1491		
60	Cable Support Bar		1	MR1DS9491		
61	Cable Support Arm		1	MR1DS9492		
62	Bolt		2	9093328		
63	Spring Lock Washer		2	9012711		
64	Nut		2	9093424		
65	Wire Guide Assembly		1	MR1DS1493		
66	Support Bar Holder (Plate)		1	MR1DS9501		
67	Bolt		2	9093329		
68	Spring Lock Washer		2	9012711		

Note: A/R = As required, one every 5 ft. of Power Supply Cable.

9.12 Chain Container Parts

Figure No.	Part Name	Parts Per Hoist	080S	100L
1	Chain Container Kit	1	BK2075H2	
2	Socket Bolt	2	9091274	
3	Lever Nut	2	ES857005S	
4	Washer	2	ES247005S	
5	Container Chain	2	ES875075	
6	Socket Bolt	2	9091272	
7	Lever Nut	2	ES857005S	
8	Washer	2	ES247005S	
9	Chain container (H2) Assembly	1	ER2HS5931	
10	NP Load Chain	1	LCER2025NP	
11	Cushion Rubber	1	ER1EM9053	
12	Stopper	2	ER1ES1041	
13	Socket Bolt	2	9091273	
14	Spring Washer	2	9012711	
15	Chain Spring	1	ES047D025	
16	Limiting Plate	1	ER1FH9054	

9.12 Chain Container Parts

100S/SD, 150S/SD, 200S/SD

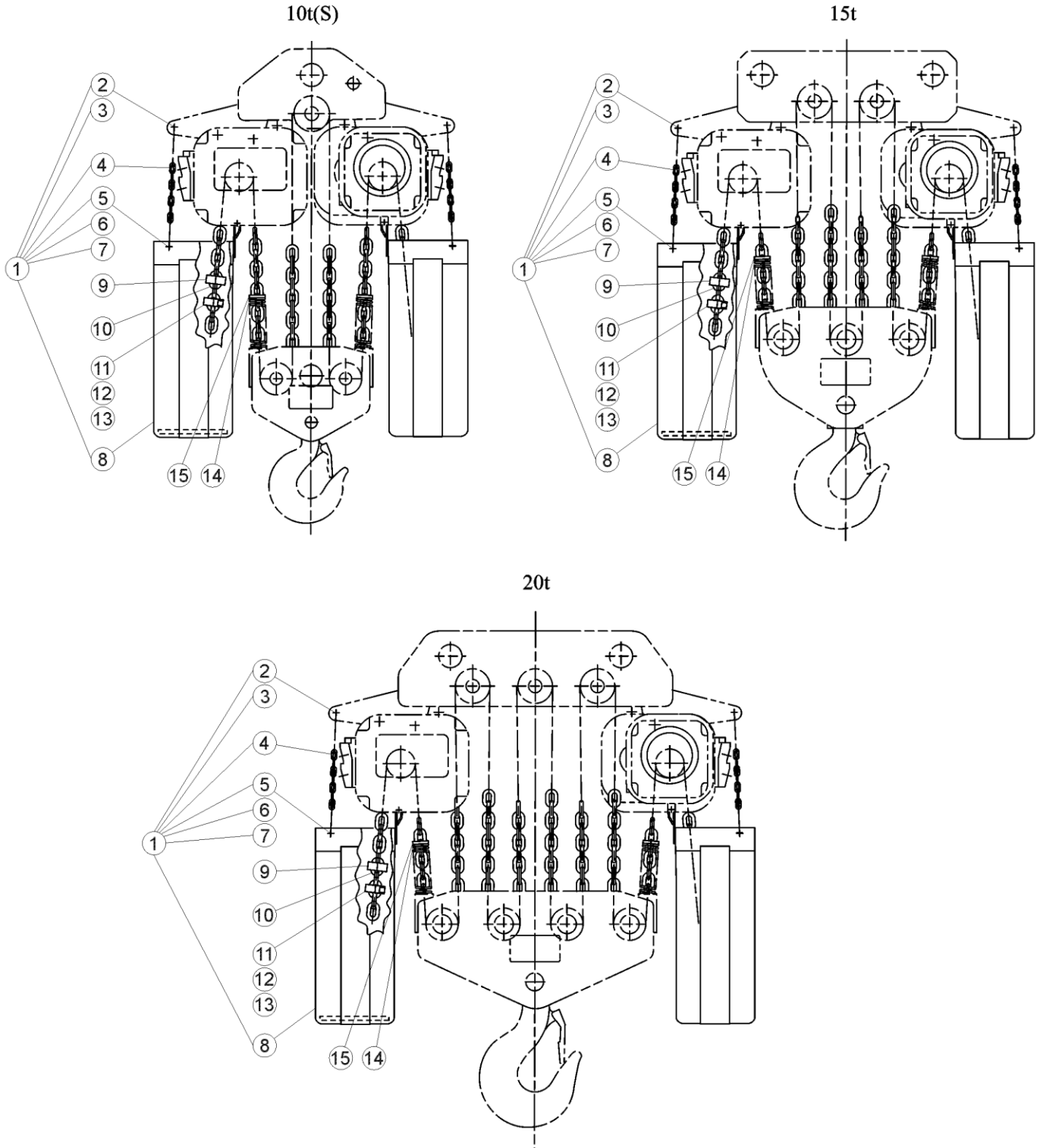


Figure 9-12-2 Chain Container Parts (Plate Suspension Type)

9.12 Chain Container Parts

Figure No.	Part Name	Parts Per Hoist	100S	150S	200S
1	Chain Container Kit	2		BK2100H2	
2	Socket Bolt	2		9091281	
3	Lever Nut	2		ES857005S	
4	Container Chain	4		ES875100	
5	Socket Bolt	4		9091272	
6	Lever Nut	4		ES857005S	
7	Washer	4		ES247005S	
8	Chain container (H2) Assembly	2		ER2HS5931	
9	Cushion Rubber	2		ER1EM9053	
10	NP Load Chain	1		LCER2025NP	
11	Stopper	4		ER1ES1041	
12	Socket Bolt	4		9091273	
13	Washer	4		9012711	
14	Chain Spring	2		ES047D025	
15	Limiting Plate	2		ER1FH9054	



Harrington Hoists, Inc.
401 West End Avenue
Manheim, PA 17545

www.harringtonhoists.com

Toll Free: 800-233-3010
Phone: 717-665-2000
Fax: 717-665-2861

ER2LCOMSup-ENG