

Valustar electric chain hoist

Designed specifically for general commercial applications. This compact, lightweight hoist features:

- Fully machined and heat treated liftwheel with hardened chain guides for smooth chain operation and reduced chain wear
- Standard lift 10, 15 & 20 ft.
- 5 ft. power cord length
- Heavy-duty caliper type AC brake
- Rugged NEMA 4 control station, 115 volt control circuit
- Easy to install and maintain
- Hoist alloy load chain for smooth operation and maximum chain life
- Efficient regenerative braking system to avoid heat generation in power train
- Enclosed hoist duty motor
- Gear train lifetime lubricated with non-oxidizing grease
- Latch type hooks
- Hook suspension standard
- Fully machined and heat treated gear train
- Standard overload Protector device
- H3 duty-1 phase; H-4 duty-3 phase
- Lifetime warranty
- Metric rated
- Made in U.S.A.

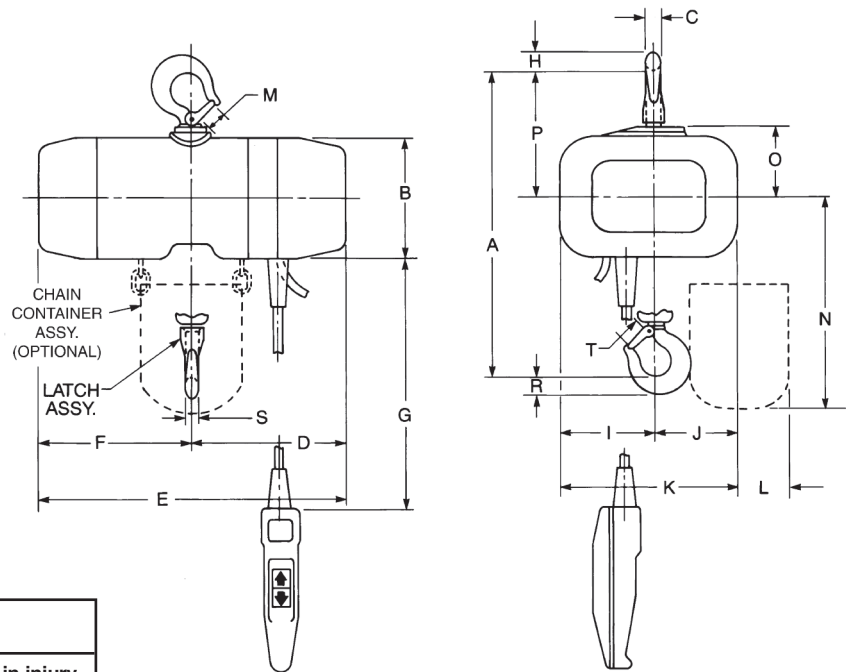


Specifications

	Product code		Model	Max. capacity tons	Hoist lifting speed FPM	Reeving	Approximate shipping wt. (lbs.)	
	115-1-60	230/460 3-60					115-1-60	230/460 3-60
Single speed 10' lift	2401	2402	WB	1/4	16	single	54	58
	2403	2404	WF	1/2	16	single	60	58
	2405	2406	WH	1	8	double	70	68
	2407	2408	WL	1	16	single	105	106
	2409	2410	WR	2	8	double	130	122
Single speed 15' lift	2401B	2402B	WB	1/4	16	single	64	62
	2403B	2404B	WF	1/2	16	single	64	62
	2405B	2406B	WH	1	8	double	77	75
	2407B	2408B	WL	1	16	single	111	112
	2409B	2410B	WR	2	8	double	136	128
Single speed 20' lift	2401C	2402C	WB	1/4	16	single	68	66
	2403C	2404C	WF	1/2	16	single	68	66
	2405C	2406C	WH	1	8	double	84	82
	2407C	2408C	WL	1	16	single	116	117
	2409C	2410C	WR	2	8	double	150	142

Longer lifts and modifications available. Apply for details.

Valustar -Specifications



***WARNING**

Overloading and improper use can result in injury.

To avoid injury:

- Do not exceed working load limit, load rating capacity
- Do not use to lift people or loads over people.
- use only alloy chain for overhead lifting.
- Read and follow all instructions.

Clearance dimensions (in.)

Rated capacity* (tons)

Dimension	1/4	1/2	1/2	1	1/2	1	2
	Model WB	Model WF	Model WE	Model WH	Model WJ	Model WL	Model WR
A	14 ¹ / ₄	14 ¹ / ₄	17 ⁷ / ₈	17 ⁷ / ₈	15 ⁹ / ₁₆	15 ⁹ / ₁₆	22 ¹ / ₂
B	6 ¹ / ₈	6 ¹ / ₈	6 ¹ / ₈	6 ¹ / ₈	7 ⁵ / ₈	7 ⁵ / ₈	7 ⁵ / ₈
C	1 ¹ / ₁₆	1 ¹ / ₁₆	7 ⁷ / ₈	7 ⁷ / ₈	7 ⁷ / ₈	7 ⁷ / ₈	1 ¹ / ₈
D	8	8	8	8	9	9	9
E	16 ¹ / ₁₆	16 ¹ / ₁₆	16 ¹ / ₁₆	16 ¹ / ₁₆	20 ³ / ₁₆	20 ³ / ₁₆	20 ³ / ₁₆
F	8 ¹ / ₁₆	8 ¹ / ₁₆	8 ¹ / ₁₆	8 ¹ / ₁₆	11 ³ / ₁₆	11 ³ / ₁₆	11 ³ / ₁₆
G**	6'-3"	6'-3"	6'-3"	6'-3"	6'-3"	6'-3"	6'-3"
H	1	1	1 ³ / ₁₆	1 ³ / ₁₆	1 ³ / ₁₆	1 ³ / ₁₆	1 ¹ / ₂
I	4 ¹³ / ₁₆	4 ¹³ / ₁₆	3 ⁷ / ₈	3 ⁷ / ₈	7 ¹ / ₄	7 ¹ / ₄	6 ³ / ₁₆
J	3 ¹⁵ / ₁₆	3 ¹⁵ / ₁₆	4 ⁷ / ₈	4 ⁷ / ₈	5 ⁷ / ₁₆	5 ⁷ / ₁₆	6 ¹ / ₂
K	8 ³ / ₄	8 ³ / ₄	8 ³ / ₄	8 ³ / ₄	12 ¹¹ / ₁₆	12 ¹¹ / ₁₆	12 ¹¹ / ₁₆
L	1 ¹ / ₁₆	1 ¹ / ₁₆	1 ¹ / ₁₆	1 ¹ / ₁₆	7 ¹ / ₁₆	7 ¹ / ₁₆	7 ¹ / ₁₆
M	1	1	1 ¹ / ₈	1 ¹ / ₈	1 ¹ / ₈	1 ¹ / ₈	1 ⁵ / ₁₆
N**	12 ¹⁵ / ₁₆	12 ¹⁵ / ₁₆	15 ¹⁵ / ₁₆	15 ¹⁵ / ₁₆	16 ¹¹ / ₁₆	16 ¹¹ / ₁₆	22 ¹¹ / ₁₆
O	3 ⁹ / ₁₆	3 ⁹ / ₁₆	3 ⁹ / ₁₆	3 ⁹ / ₁₆	4	4	4
P	6 ⁹ / ₁₆	6 ³ / ₁₆	6 ¹ / ₂	6 ¹ / ₂	6 ⁷ / ₈	6 ⁷ / ₈	7 ³ / ₈
R	1	1	1 ³ / ₁₆	1 ³ / ₁₆	1 ³ / ₁₆	1 ³ / ₁₆	1 ¹ / ₂
S	1 ¹ / ₁₆	1 ¹ / ₁₆	7 ⁷ / ₈	7 ⁷ / ₈	7 ⁷ / ₈	7 ⁷ / ₈	1 ¹ / ₈
T	1	1	1 ¹ / ₈	1 ¹ / ₈	1 ¹ / ₈	1 ¹ / ₈	1 ⁵ / ₁₆

** Based on 10 foot lift units